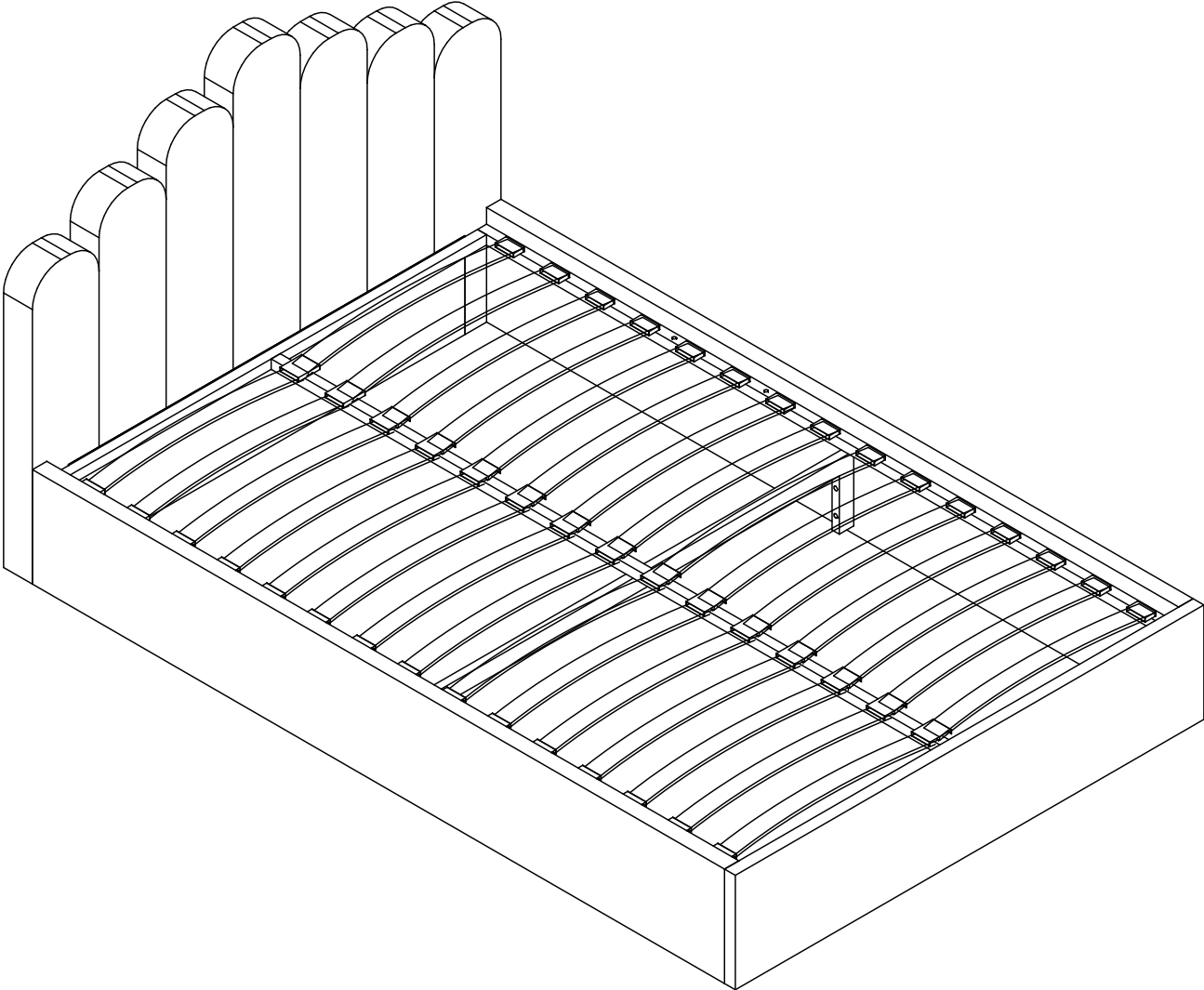
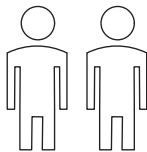


# Flair Poseidon Ottoman Bed Frame

Single/Double



Up to 2 hour approx  
assembly time



Two person  
assembly

# **Important**

## **Assembly Tip**

Before you begin, it's best to identify all of the parts and fittings to build your ottoman bed frame. We advise laying these out on the floor to check you have everything, and to familiarise yourself with all of the parts and fittings before building.

## **Top Tip**

We recommend that you build your new ottoman bed frame in the room you'd like it to be located. This will help prevent any risk of damage to the frame whilst moving it.

## **Safety and Care**

It's important to ensure children and animals are kept away from the assembly area, as there are small components used in this bed frame which could present a choking.

All plastic and wrapping materials should also be kept away from children and animals to prevent any risk of suffocation.

## **Help and Support**

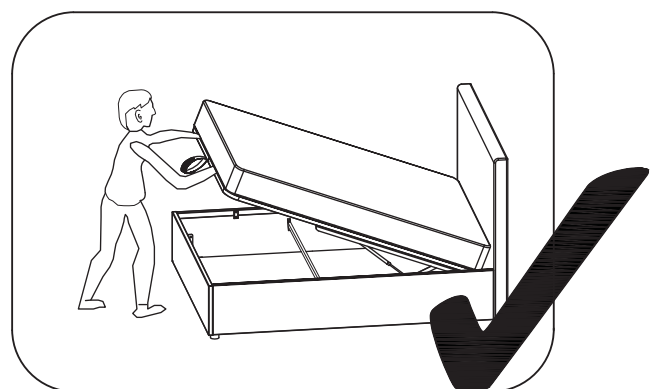
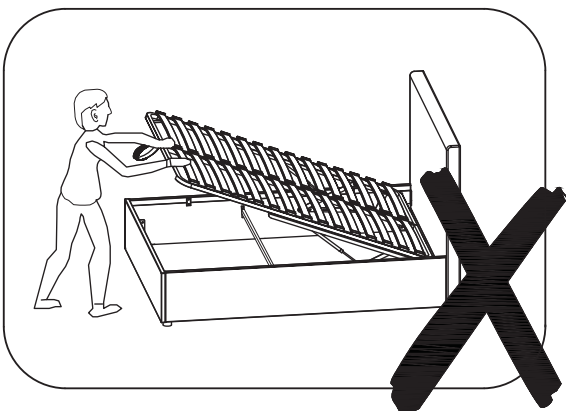
Please contact our customer service team on 0192 495 0955 if you have any questions or issues with your purchase.

## **Recycling**

Please ensure that packaging is disposed of in a safe and environmentally friendly way, and recycle where possible. Please keep your assembly instructions safe to refer back to in the future.

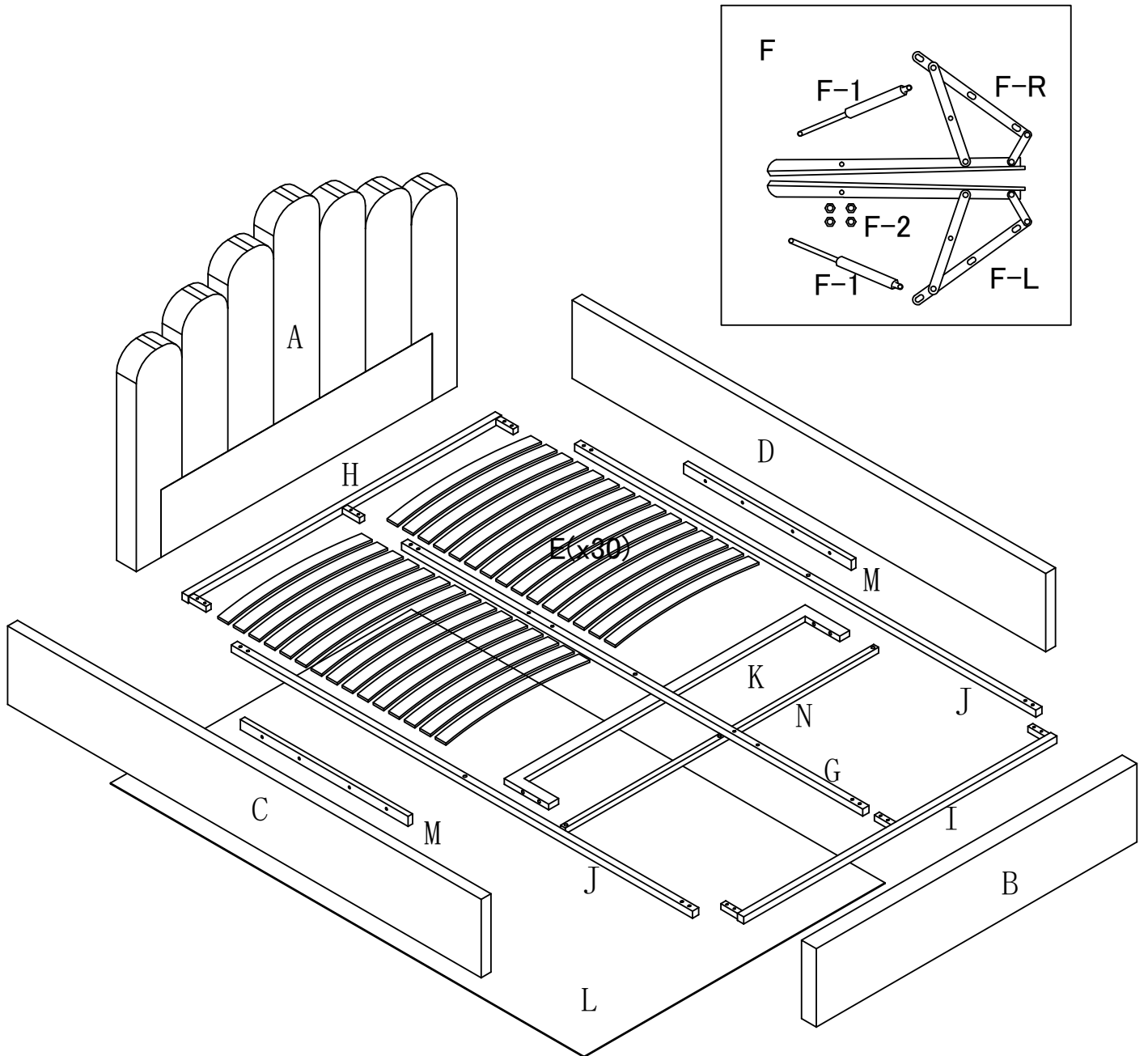
# Operating Your Ottoman Bed Frame Safely

- Caution, this ottoman bed frame uses a pressurised mechanism.
- Please ensure children and animals are kept away from the ottoman bed frame when operating the mechanism.
- Use caution when operating, and always use two hands at arm's length.
- You must always ensure the mattress is on the ottoman bed frame before lifting the mechanism. Failure to do so may result in injury or damage to the mechanism.
- If removing the mattress, make sure the ottoman bed frame is secured as it could flip open.
- Only use the storage compartment when the ottoman bed frame is fully in the upright position.
- Do not remain on the ottoman bed frame whilst the lifting mechanism is in use.
- Beware of entrapment. Keep both hands clear of the mechanism when operating.
- When lifting the ottoman bed frame, remove all bedding except the fitted sheet.
- Always use the strap to lift or lower the ottoman metal frame. Close the ottoman metal frame by pushing down firmly with both hands towards the centre of the bed frame with equal pressure.
- No children or animals should be left unattended when the ottoman bed frame is in the upright position.
- When fully assembled, raise and lower the ottoman metal frame 4/5 times to ensure the gas pistons are fully lubricated.
- Ensure to re-tighten all nuts and bolts within the ottoman bed frame after the first two weeks of use.



# Parts

Before you begin building your ottoman bed frame, please take a moment to read through the instructions and make sure that you have all the relevant parts listed on the parts check list.






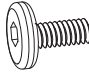
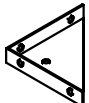
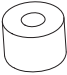




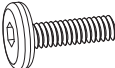






# PART CHECK LIST

Carton 1 of 2		
NO.	Part list	QTY
A	Headboard	X1
E	Bed Slats	X2 Sets
F	Lifting Mechanism	X1 Sets

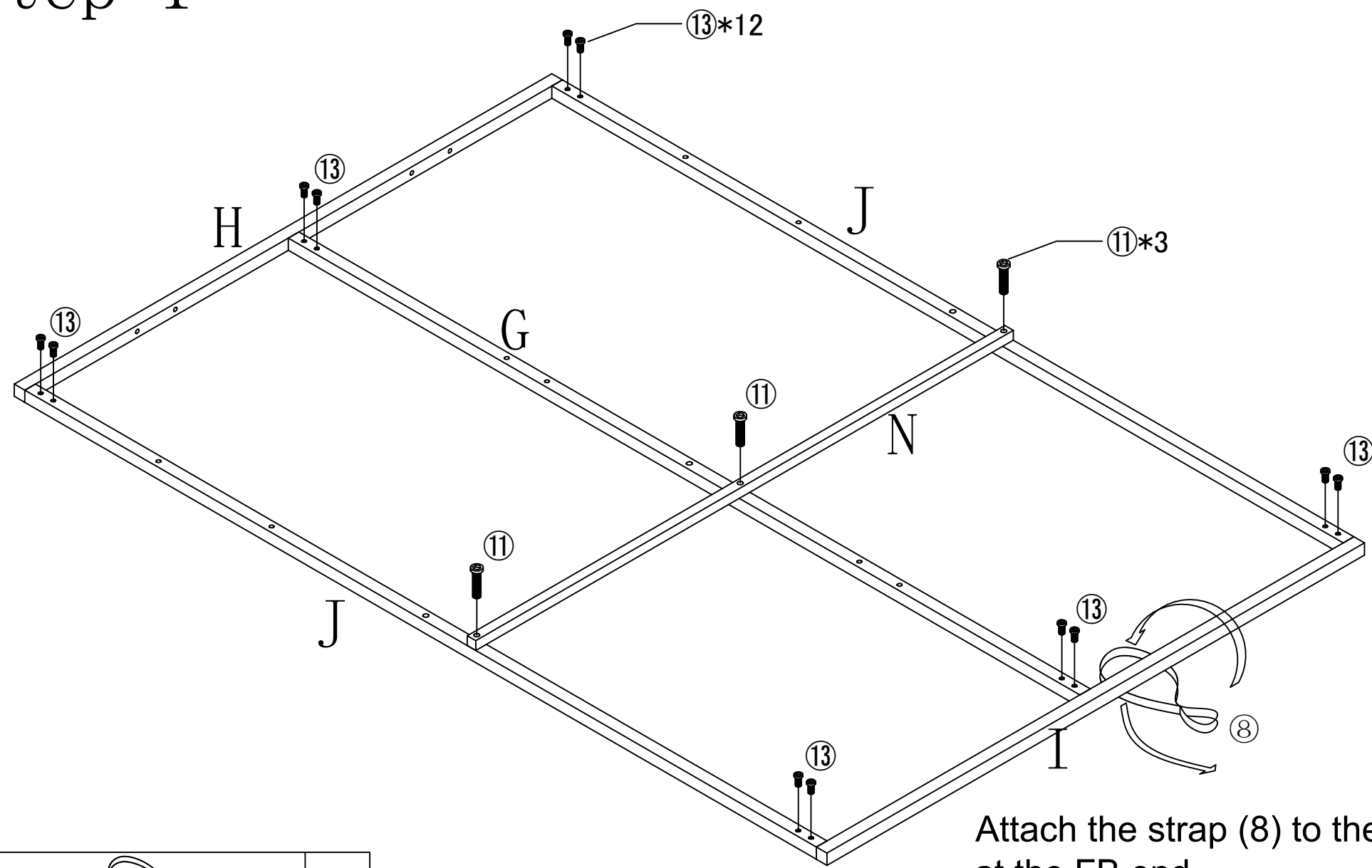
Carton 2 of 2					
NO.	Part list	QTY	NO.	Part list	QTY
B	Footboard	X1	J	Side Metal Frame	X2
C	Side Panel-L	X1	K	Centre Support Rail	X1
D	Side Panel-R	X1	L	Fabric Base	X1
G	Centre Rail	X1	M	Wooden Block	X2
H	Front Metal Frame	X1	N	Centre Metal Bar	X1
I	Rear Metal Frame	X1			

## Fittings

Please check you have all the fittings listed below with your product.

 ① Slats Caps Centre 15pcs	 ② Slats Caps Side 30pcs	 ③ Mattress Stopper 2pcs	 ④ M8x20mm Bolt 38pcs	 ⑤ Metal Corner Bracket 4pcs
 ⑥ Plastic Feet 4pcs	 ⑦ Wooden Support block 2pcs	 ⑧ Strap 1pc	 ⑨ Hinges 4pcs	 ⑩ M3.5x35mm Screw 4pcs
 ⑪ M8x40mm Bolt 15pcs	 ⑫ M8x60mm Bolt 4pcs	 ⑬ M6x15mm Bolt 12pcs	 ⑭ M40x40mm EV pad 4pcs	 ⑮ M40x25mm EV pad 5pcs
 ⑯ Allen Key 1pc	 ⑰ Allen Key 1pc			

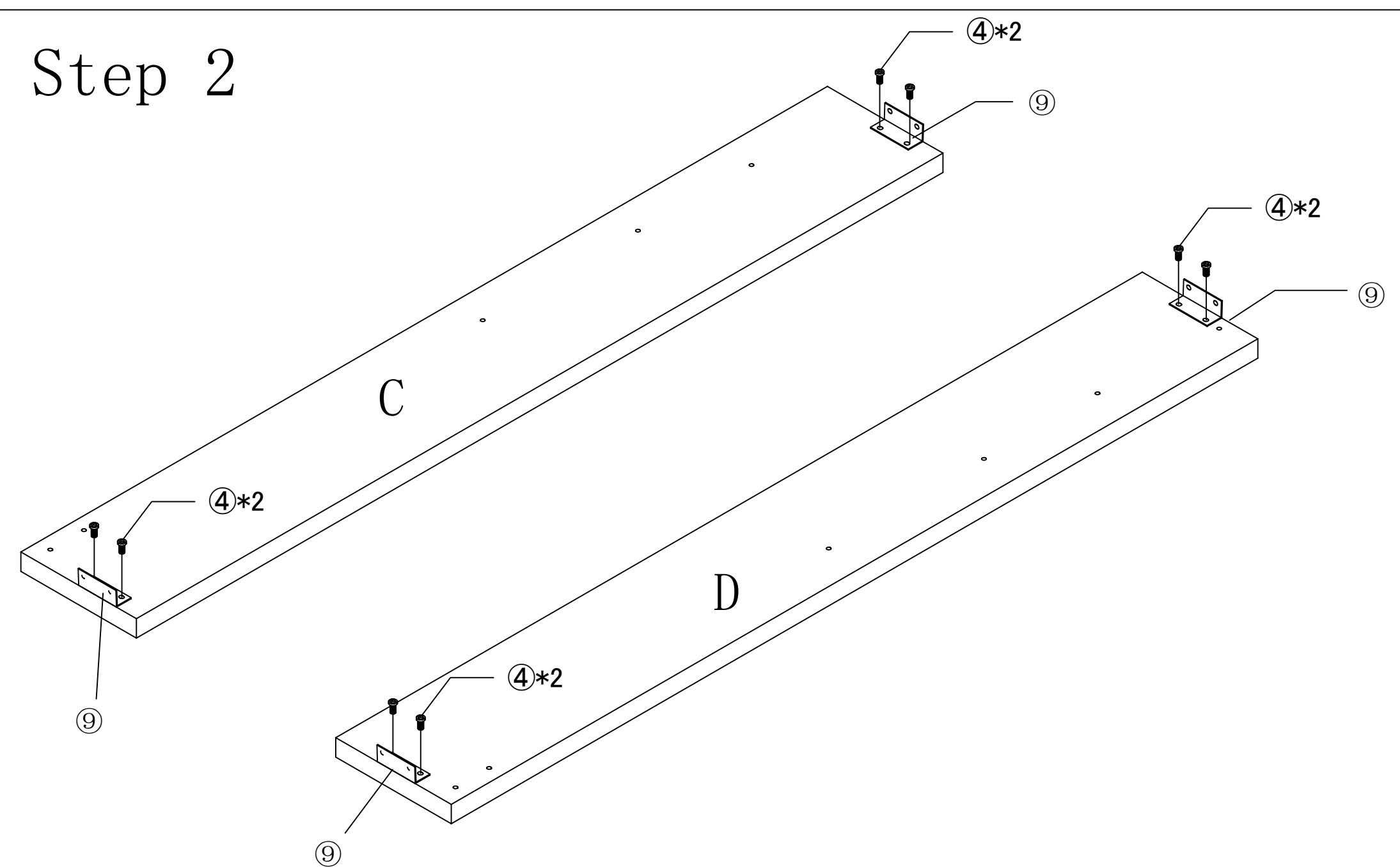
# Step 1



Attach the strap (8) to the center, at the FB end.

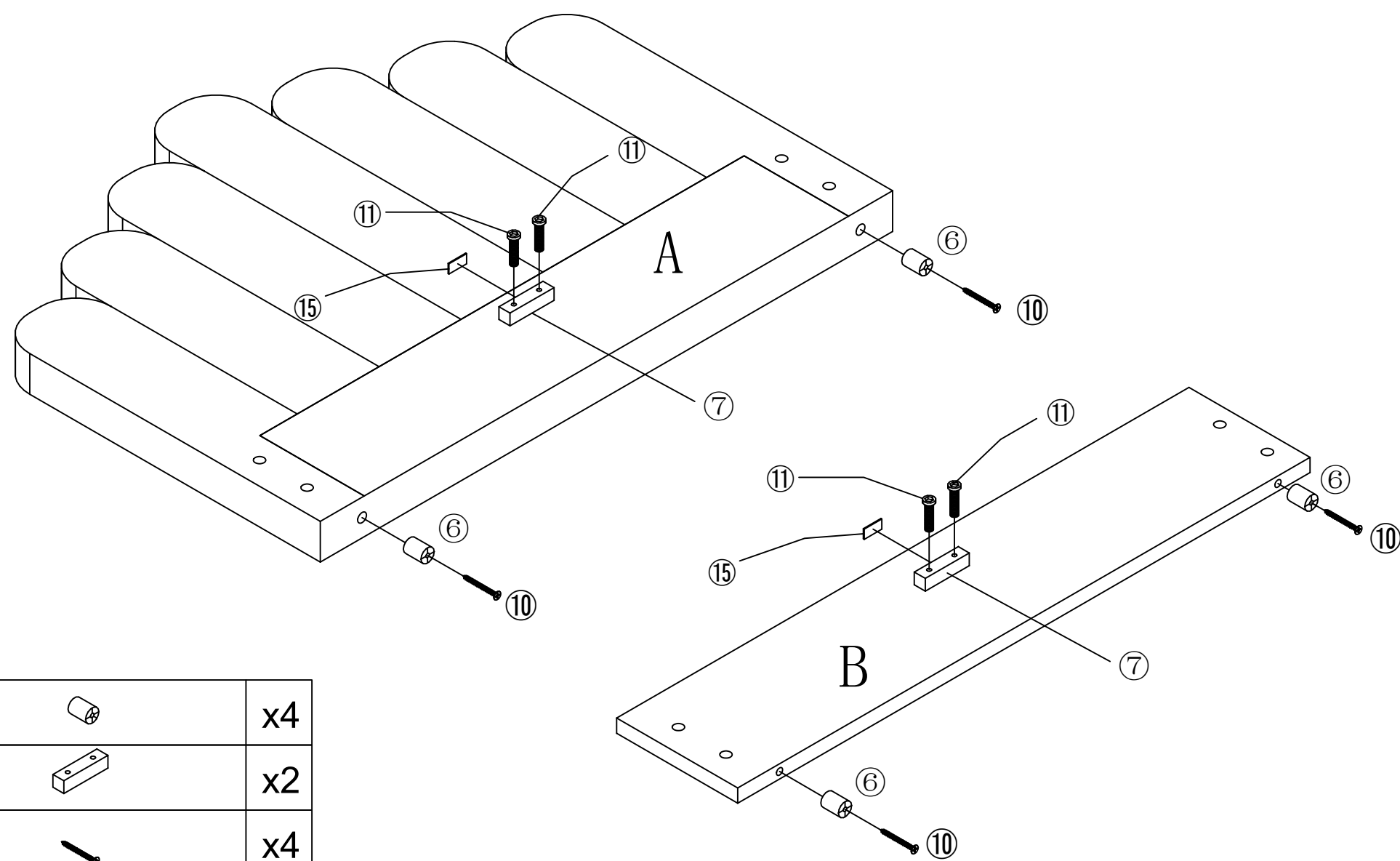
⑧		x1
⑪		x3
⑬		x12

# Step 2



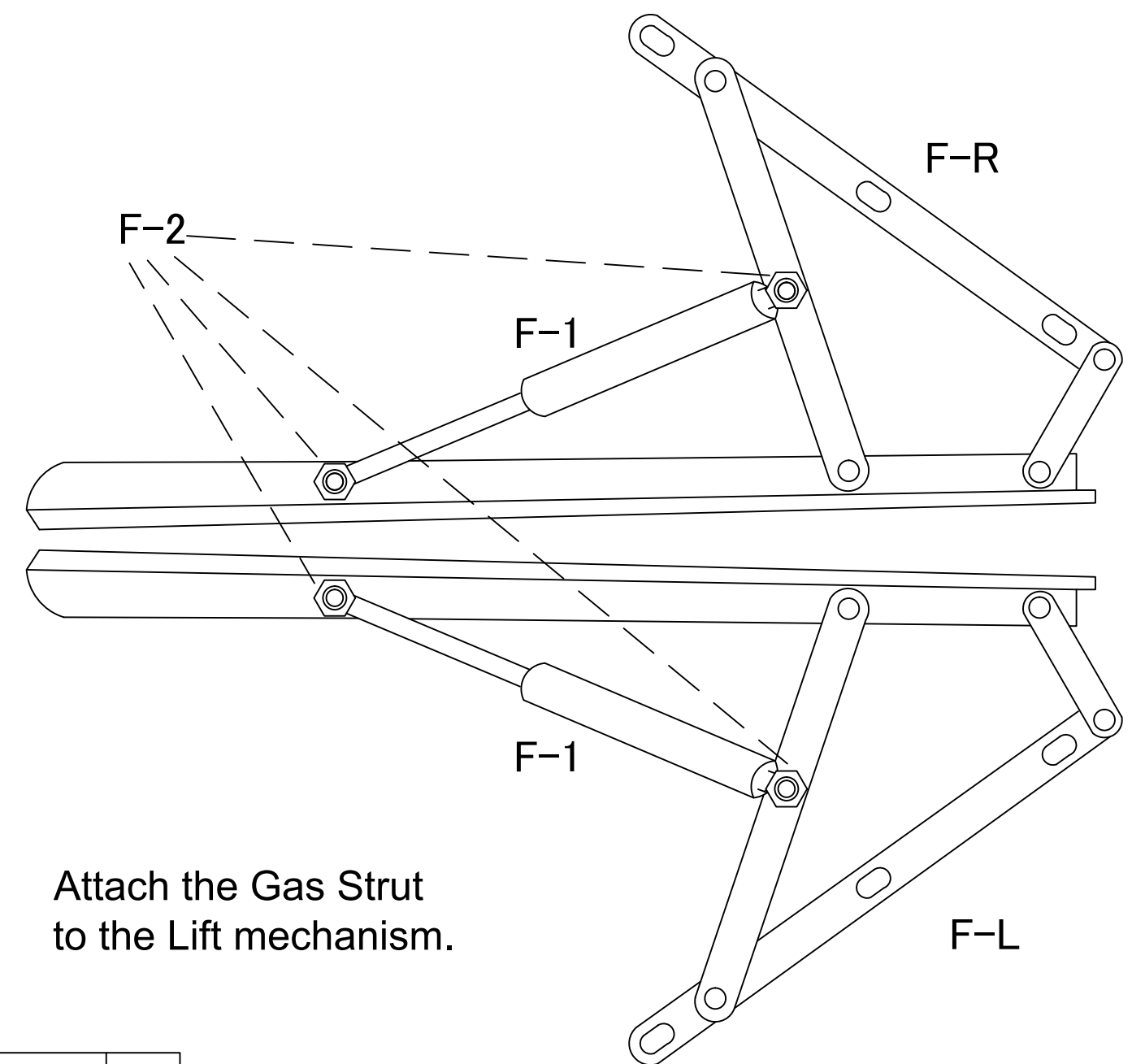
④		x8
⑨		x4

# Step 3



⑥		x4
⑦		x2
⑩		x4
⑪		x4
⑮		x2

# Step 4

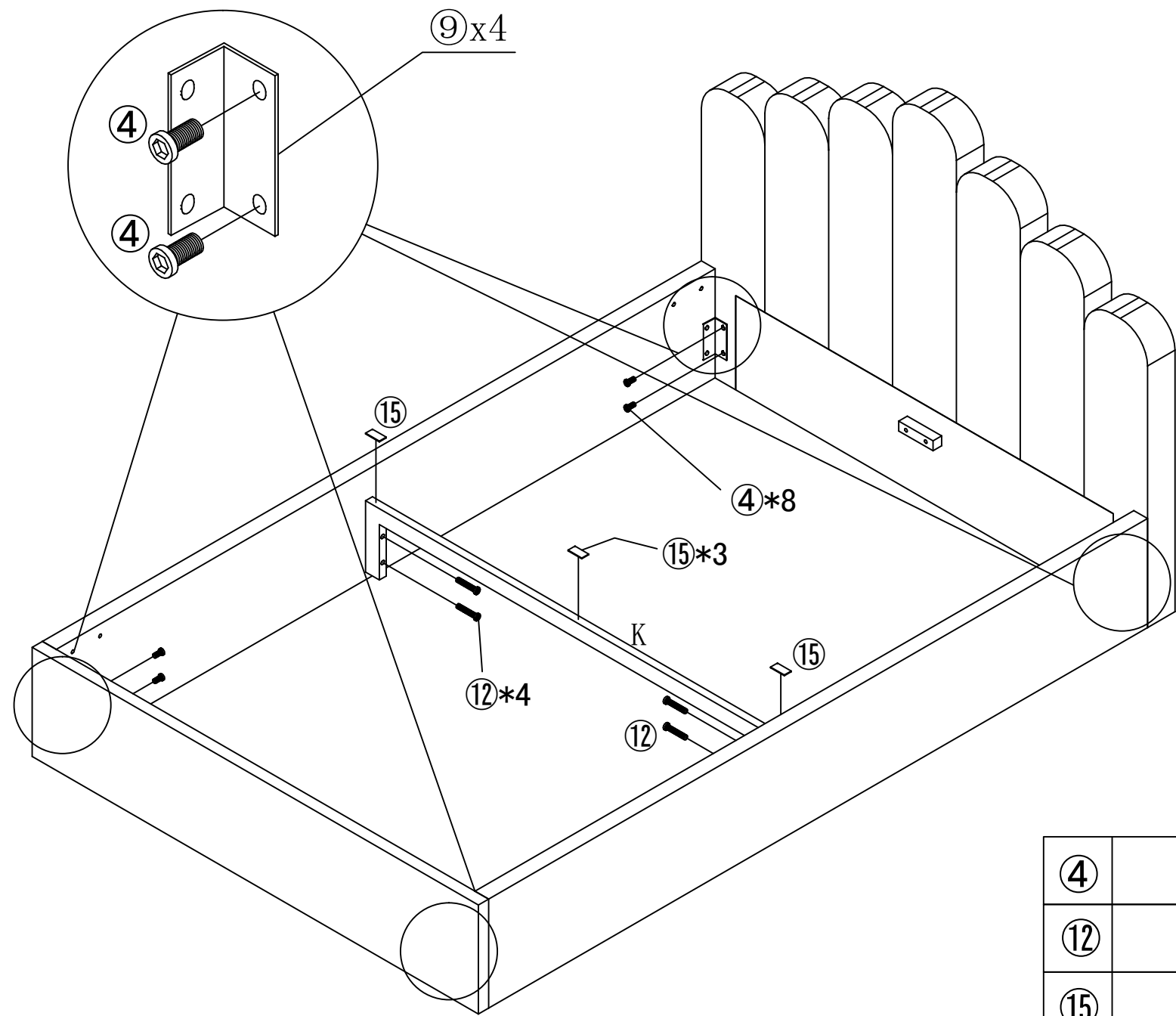


Attach the Gas Strut to the Lift mechanism.

F-2		x4
F		x1

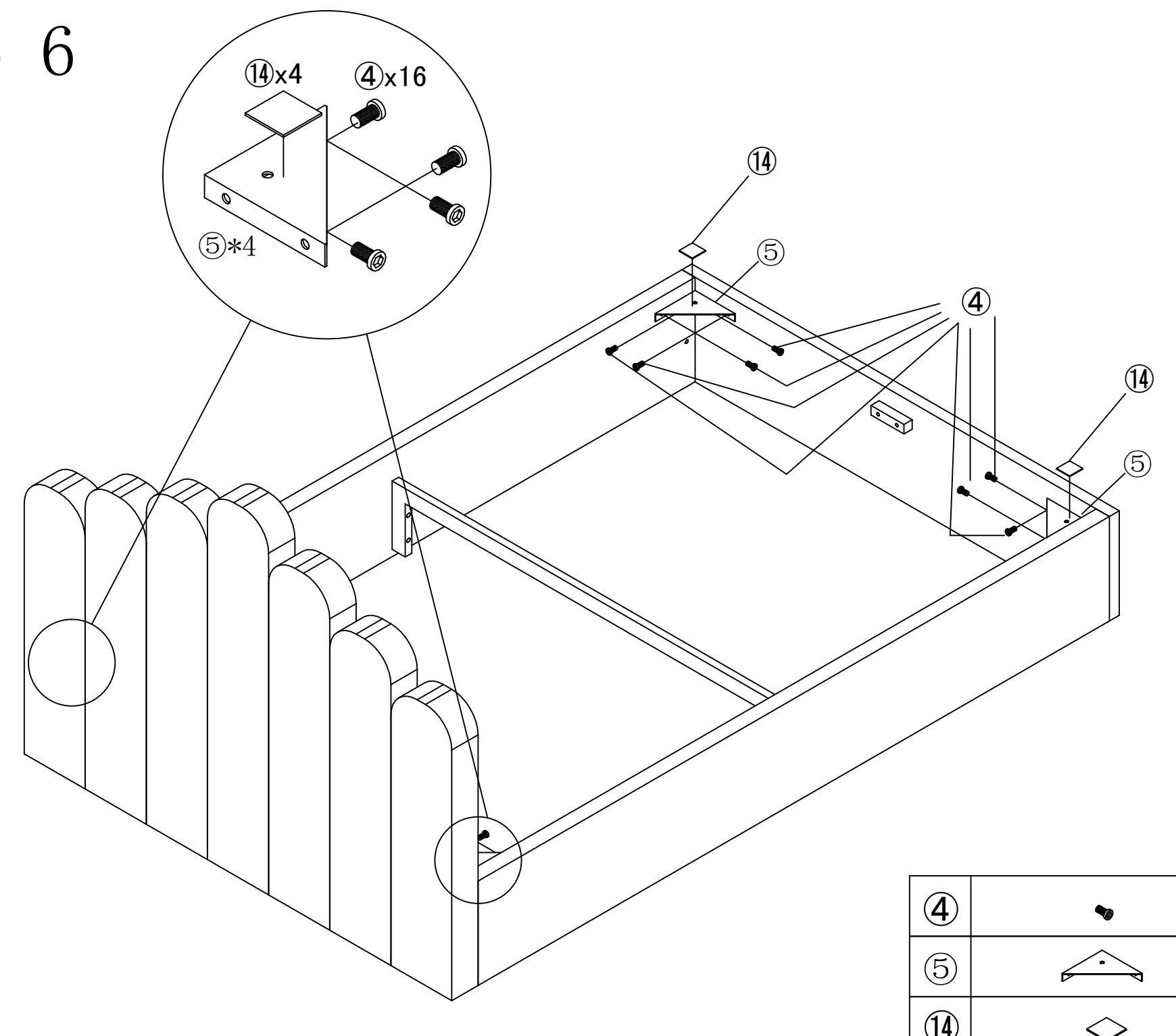


# Step 5



④		x8
⑫		x4
⑮		x3

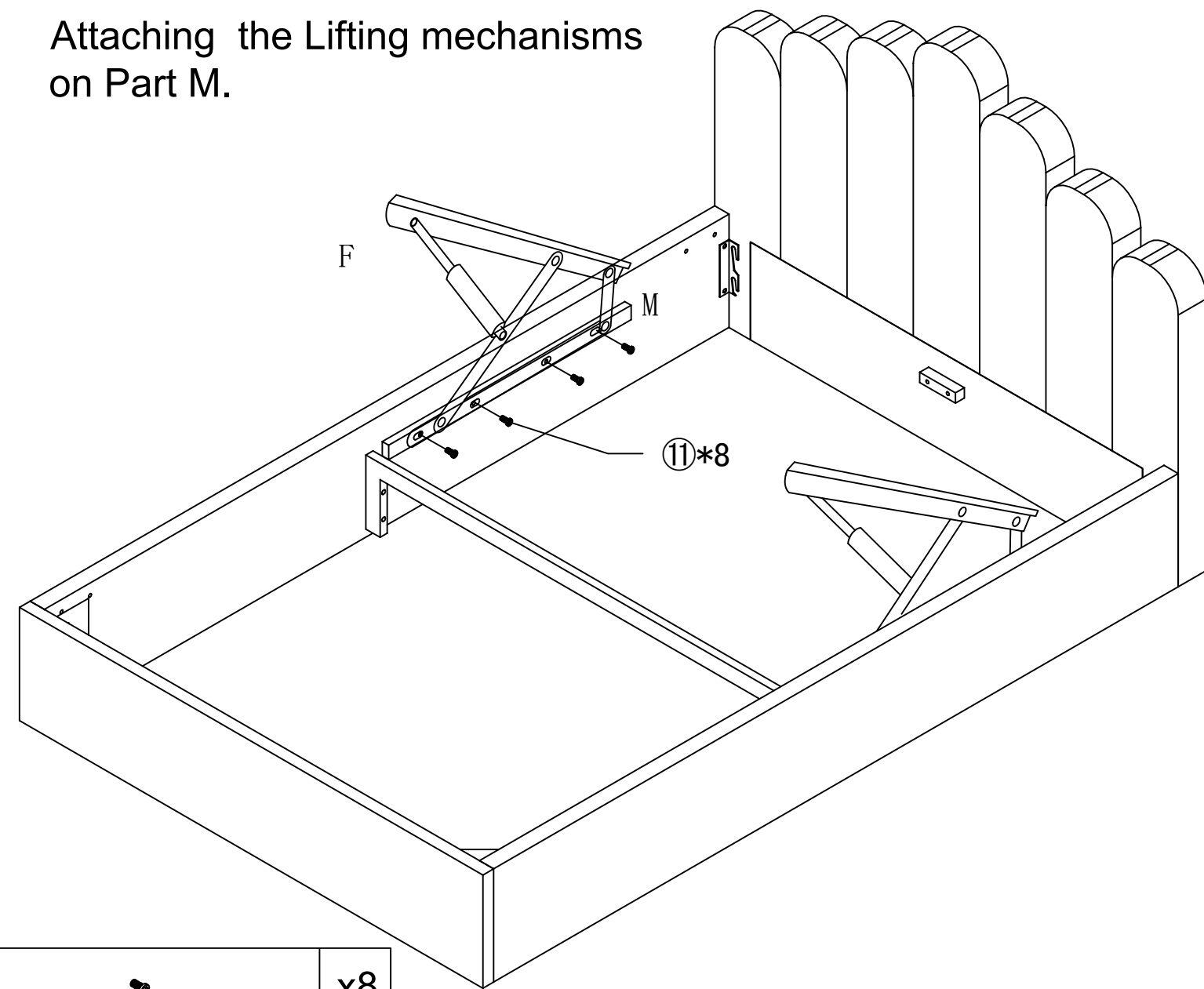
# Step 6



④		x16
⑤		x4
⑭		x4

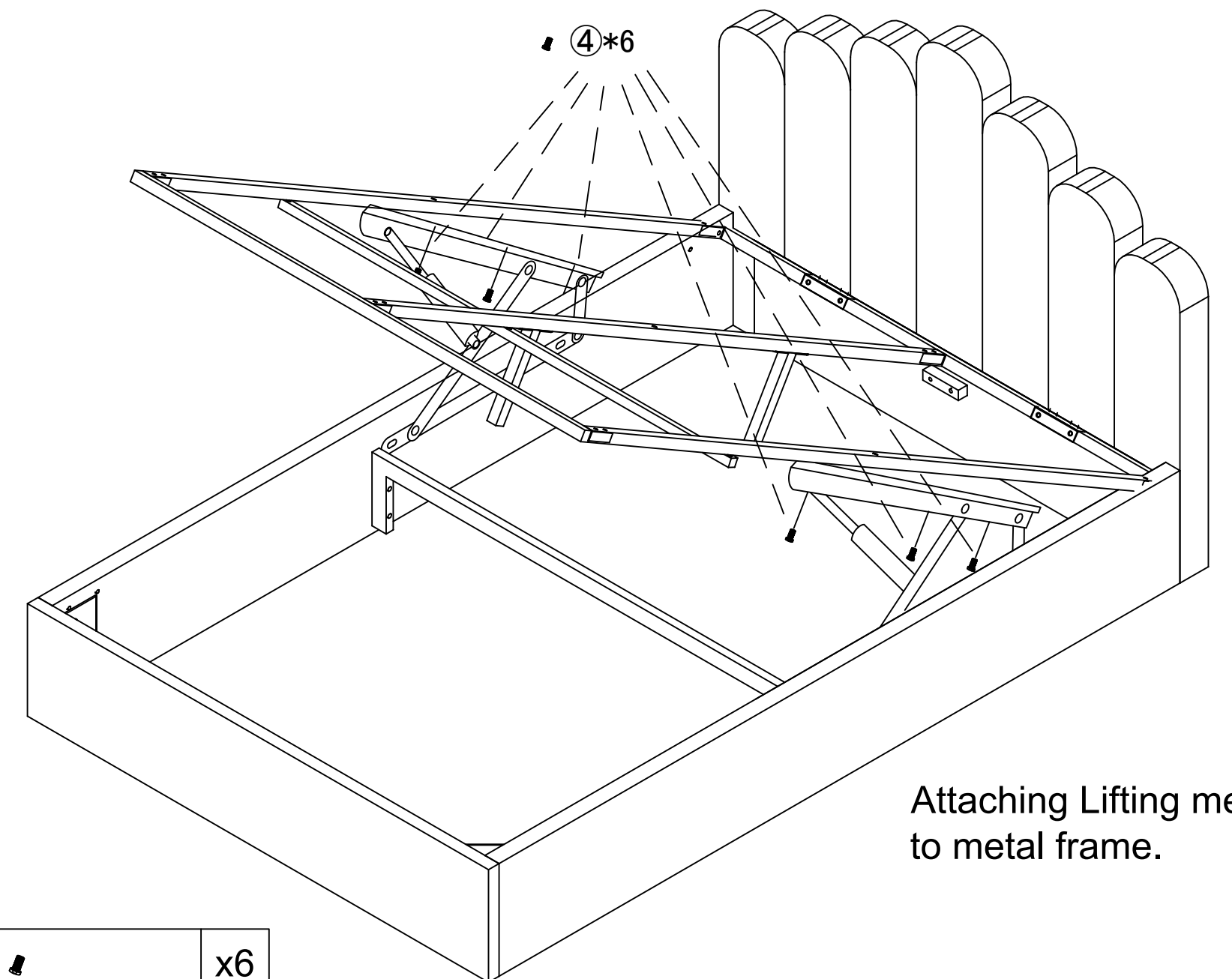
# Step 7

Attaching the Lifting mechanisms on Part M.



⑪		x8
---	--	----

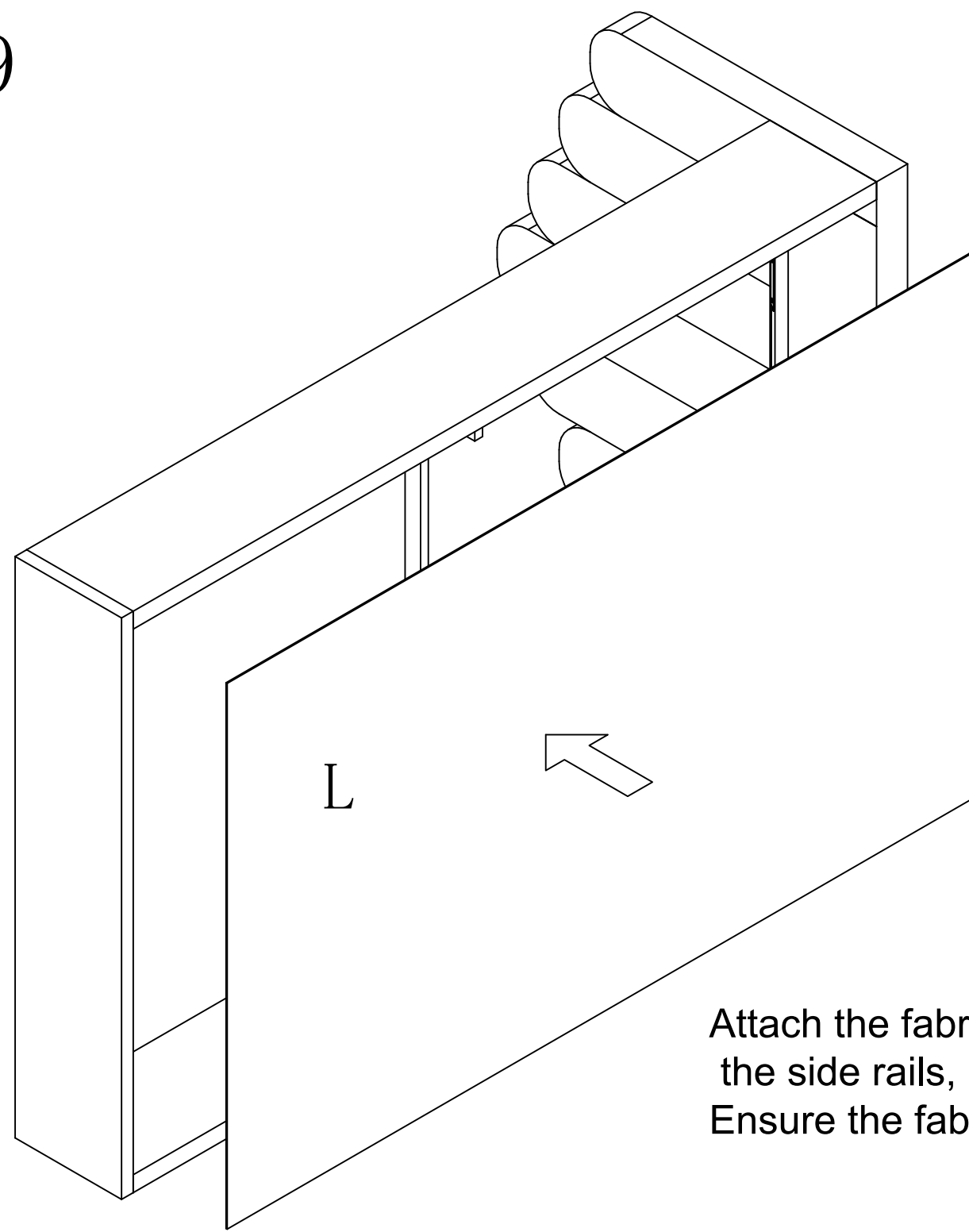
# Step 8



Attaching Lifting mechanisms to metal frame.

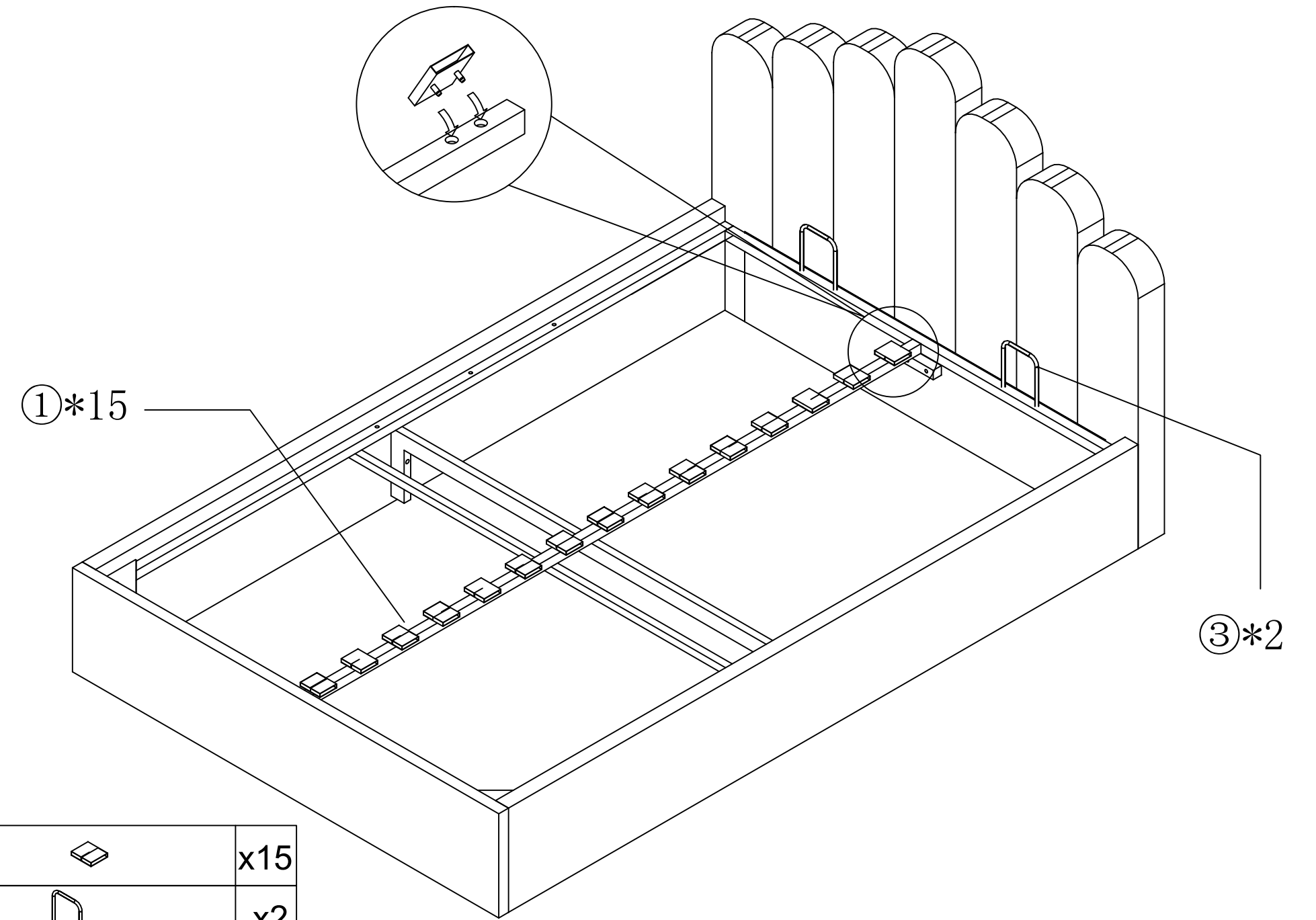
④		x6
---	--	----

# Step 9



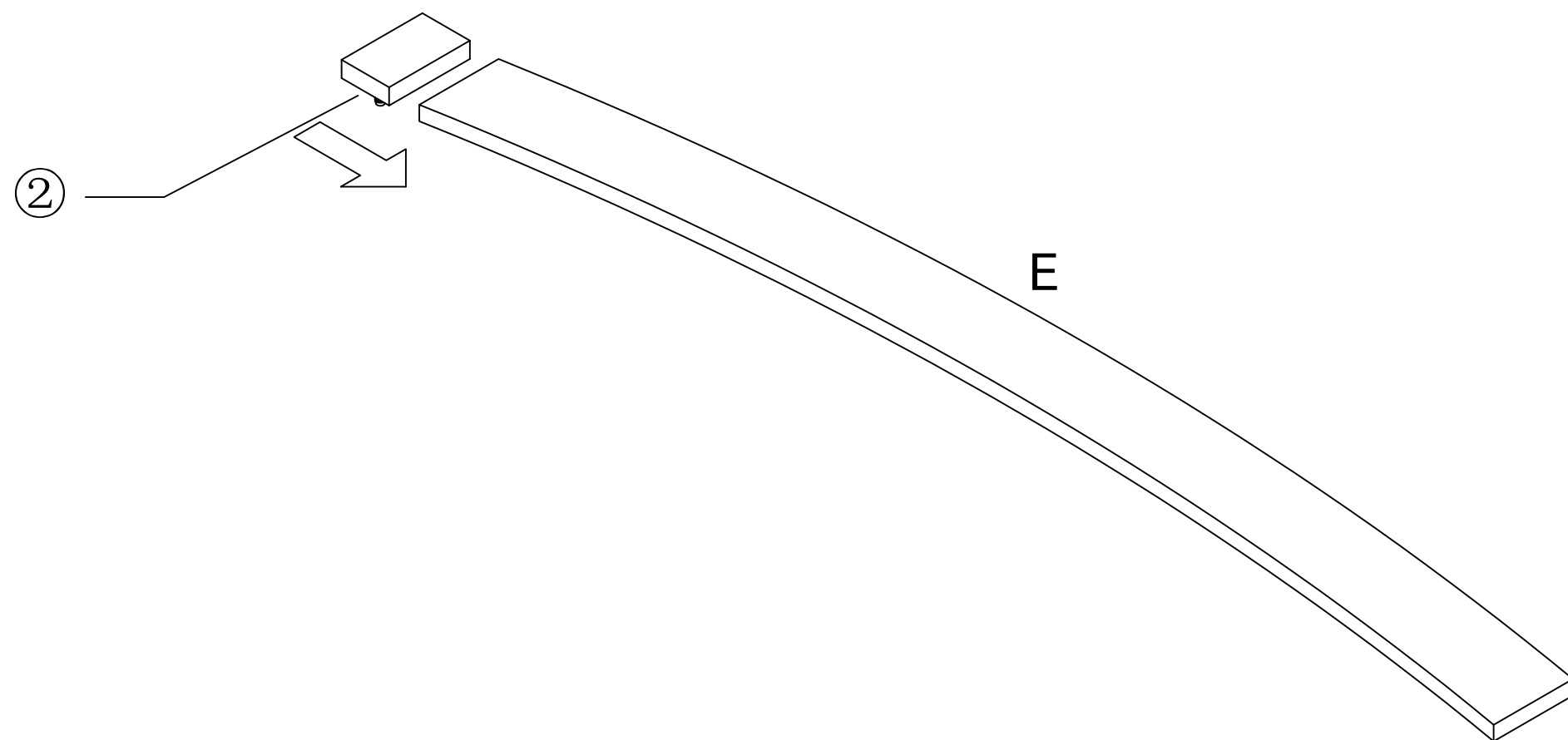
Attach the fabric Base (L) to bottom of the side rails, HB,FBwith velvro tape. Ensure the fabric is fixed evenly all round

# Step 10

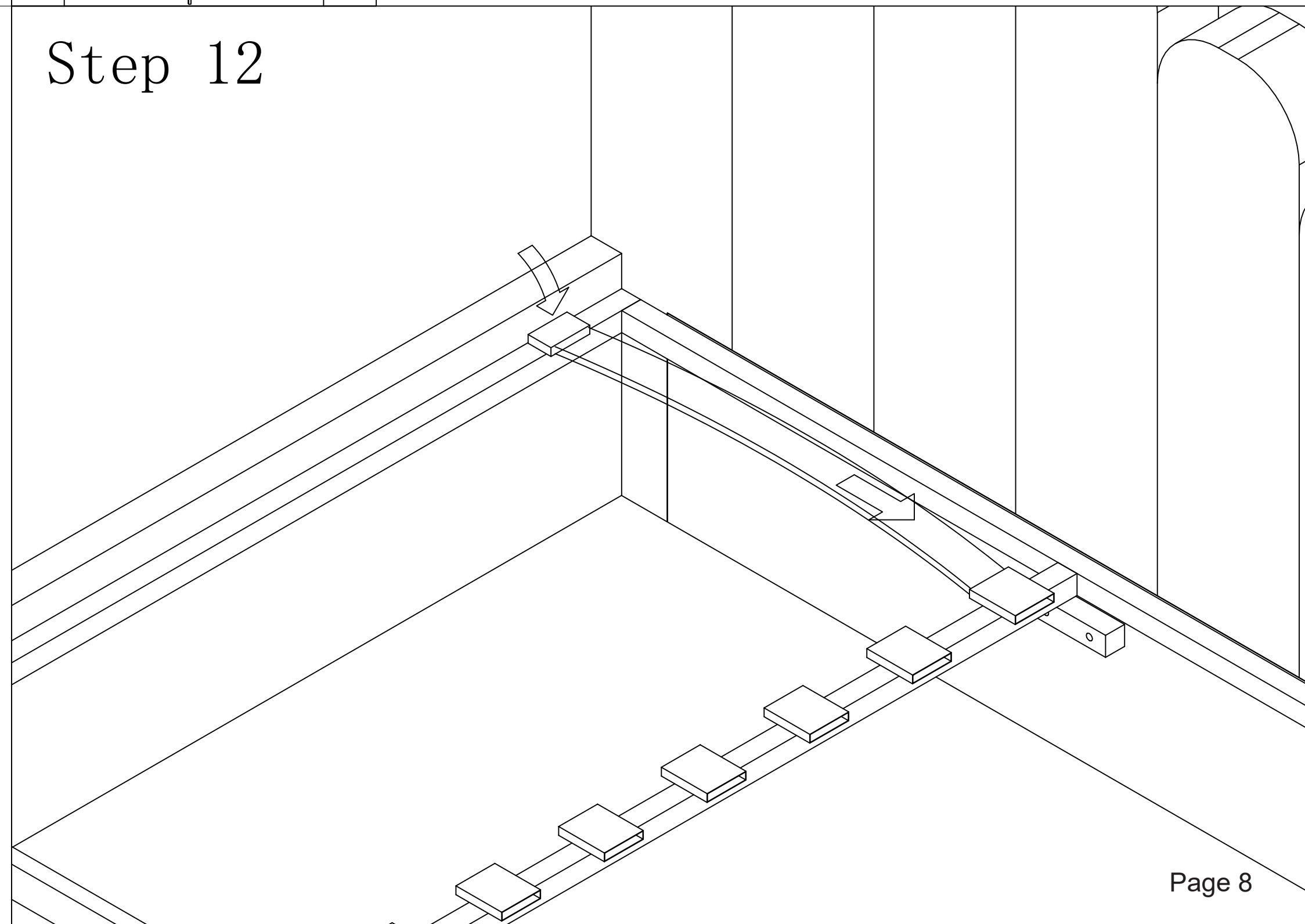


①		x15
③		x2

# Step 11



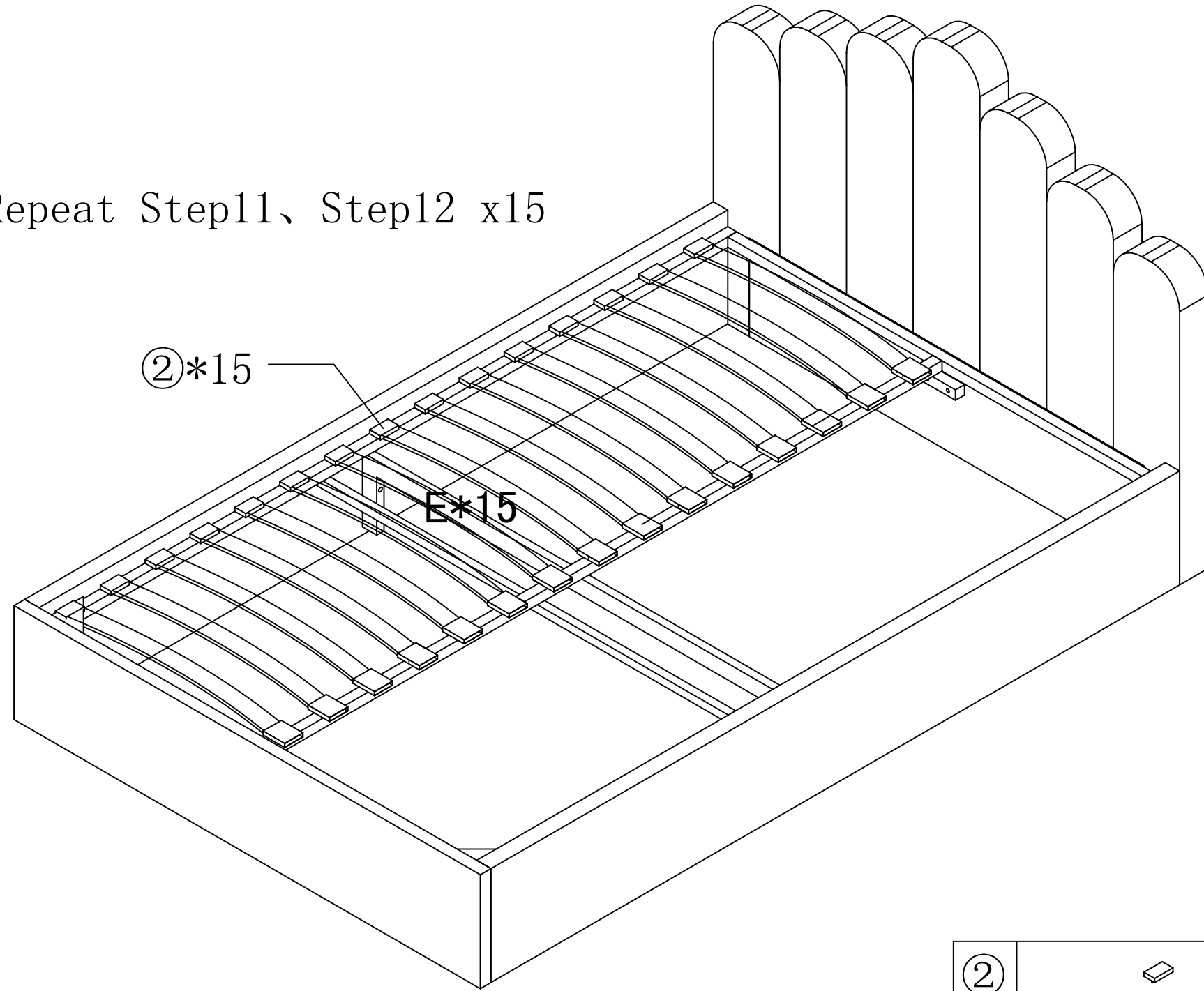
# Step 12



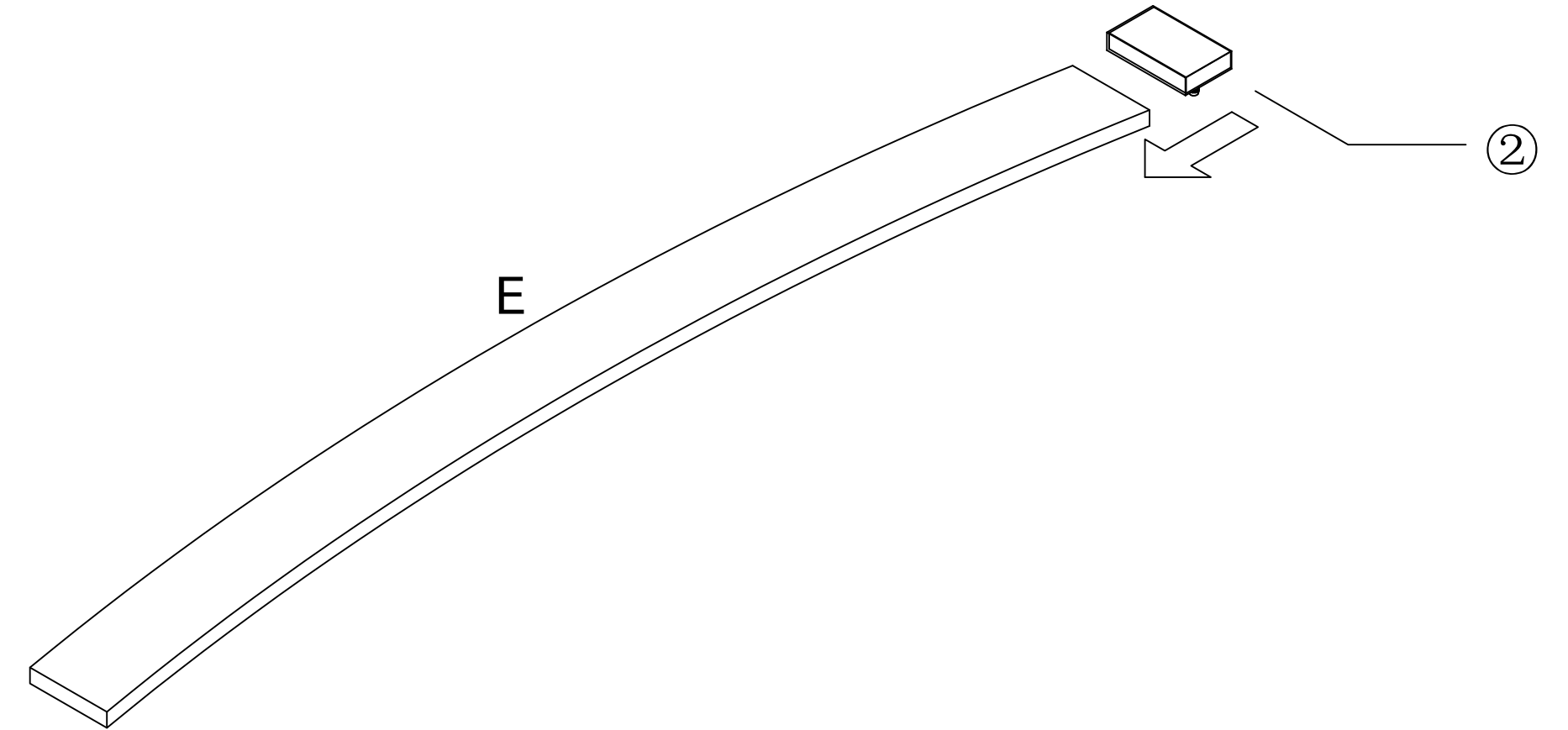


# Step 13

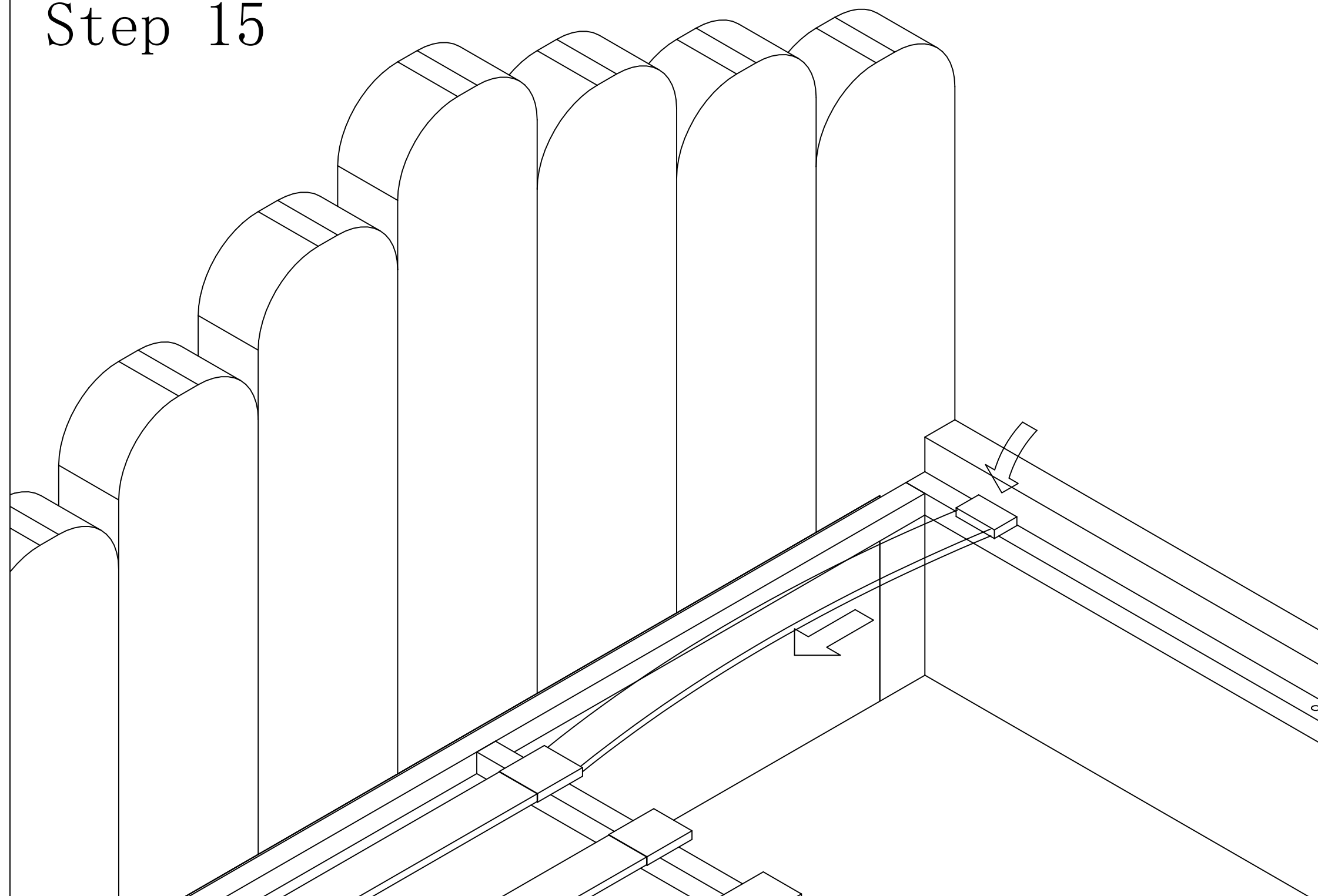
Repeat Step11、Step12 x15



# Step 14



# Step 15



# Step 16

Repeat Step14、Step15 x15

