

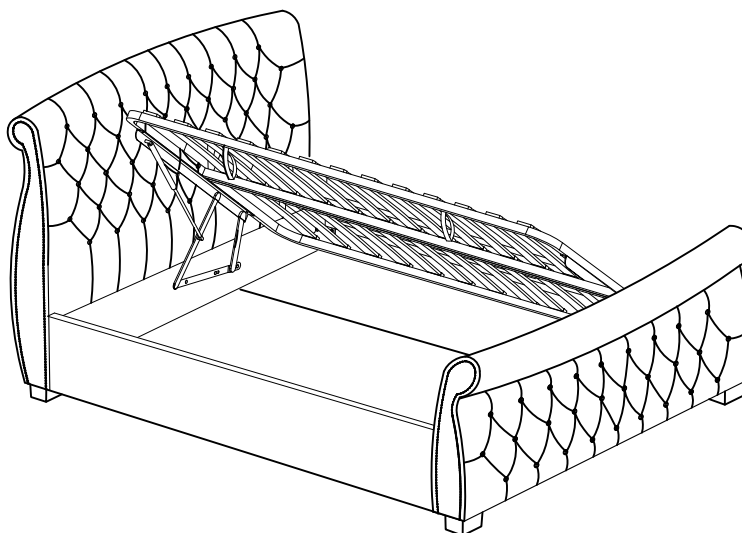
# ASSEMBLY INSTRUCTION

## LUCINDA SIDE LIFT OTTOMAN DOUBLE BED

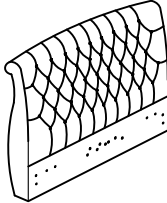
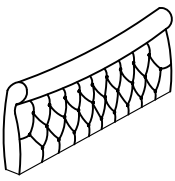
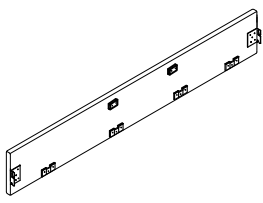
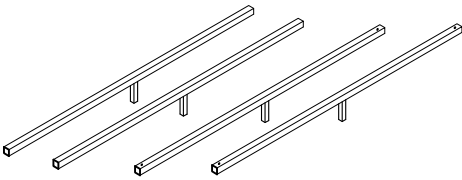
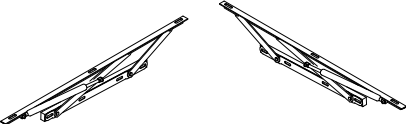
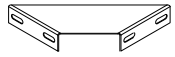
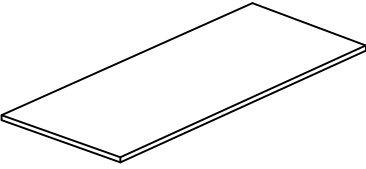
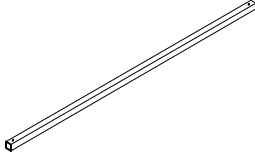
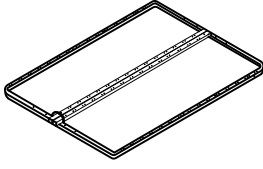
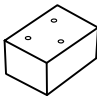
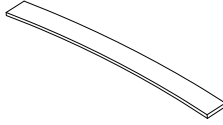

### Important

If for any reason you need to return this item, you must return it in its original packaging. Assembled items cannot be returned.

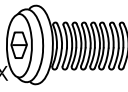
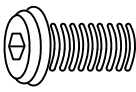
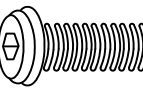
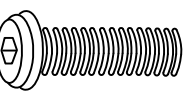

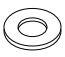



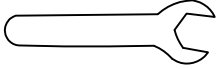


- IMPORTANT NOTE \*
- PLEASE CHECK ALL PARTS CAREFULLY BEFORE YOU START THE ASSEMBLY OF YOUR FURNITURE
  - \* PLACE ALL PARTS ON A CLEAN AND FLAT SOFT SURFACE TO PREVENT SCRATCHES.
  - \* KINDLY FOLLOW THE ASSEMBLY INSTRUCTIONS STEP BY STEP.




# Parts

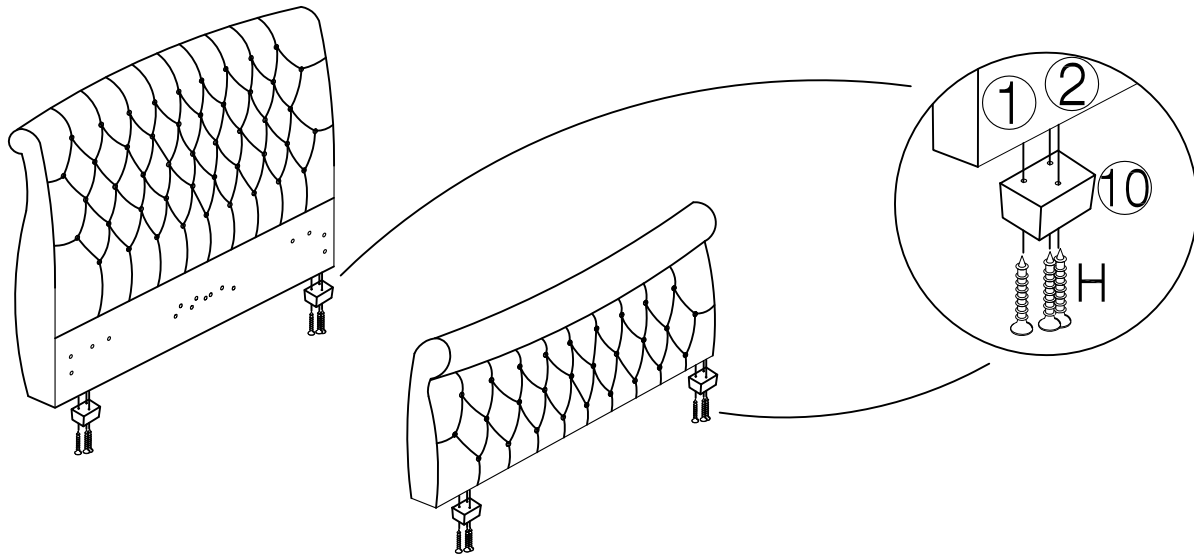
<p>① HEADBOARD - 1PC</p> 	<p>② FOOTBOARD - 1PC</p> 	<p>③ SIDE RAILS - 2PCS</p> 
<p>④ WOODEN SUPPORT - 4PCS</p> 	<p>⑤ GAS LIFT PARTS - 2PCS</p> 	<p>⑥ METAL CORNER - 4PCS</p> 
<p>⑦ BASE BOARD - 2PCS</p> 	<p>⑧ HORIZONTAL SUPPORT BAR - 1PC</p> 	<p>⑨ METAL FRAME BASE - 1PC</p> 
<p>⑩ FEET - 4PCS</p> 	<p>⑪ SLATS - 26PCS</p> 	<p>⑫ BRACKET - 2PCS</p> 

# Fittings





<p>Ⓐ 24x 30mm M8 bolt</p> 	<p>Ⓑ 8x 40mm M8 bolt</p> 	<p>Ⓒ 6x 45mm M8 bolt</p> 	<p>Ⓓ 2x 70mm M8 bolt</p> 	<p>Ⓔ 8x M8 Nut</p> 
<p>Ⓕ 40x Flat Washer M8X17mm</p> 	<p>Ⓖ 32x Spring Washer M8</p> 	<p>Ⓗ 12x 50mm M5 screw</p> 	<p>Ⓙ 1x M5 allen key</p> 	<p>Ⓝ 1x spanner</p> 
<p>Ⓚ 4x 45mm M4 screw</p> 	<p>Ⓛ 52x Single cap</p> 			

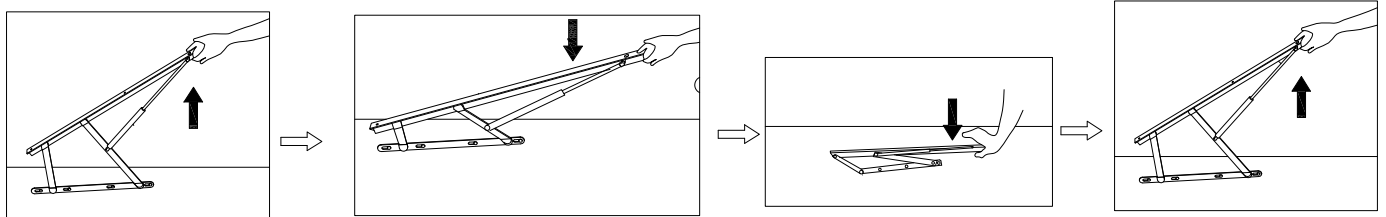
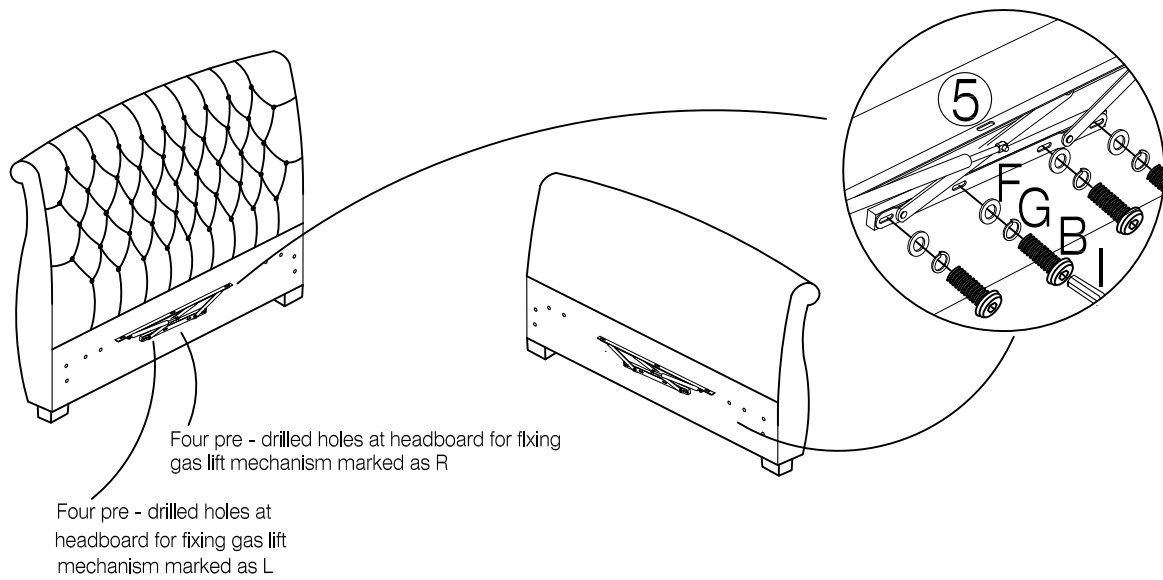
# Step 1

 12x 50mm M5 screw (Gold)				
--	--	--	--	--



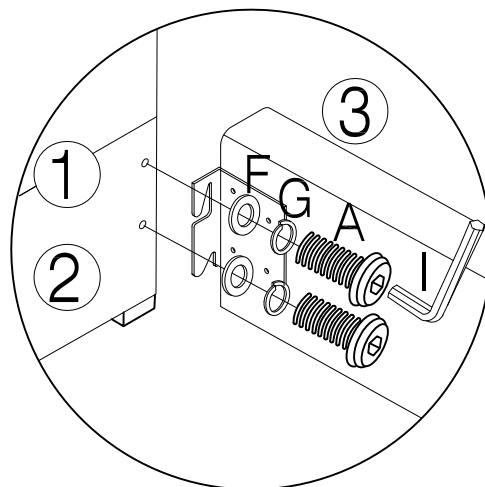
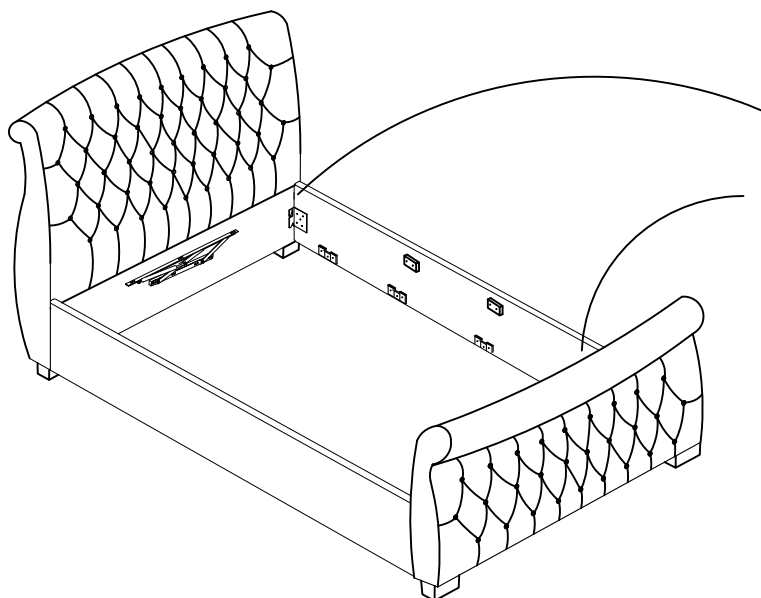
# Step 2

 8x 40mm M8 bolt	 8x Flat Washer M8X17mm	 8x Spring Washer M8	 1x M5 allen key	
--	---	--	--	--






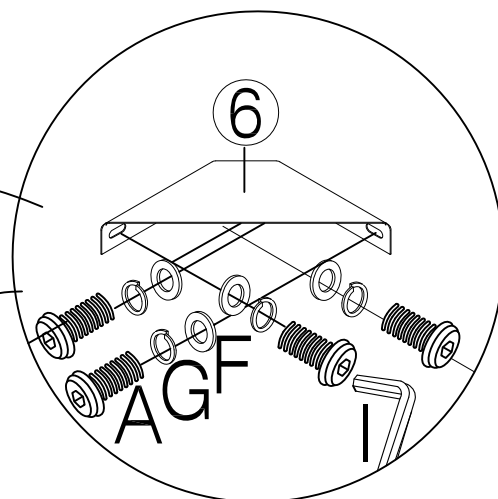
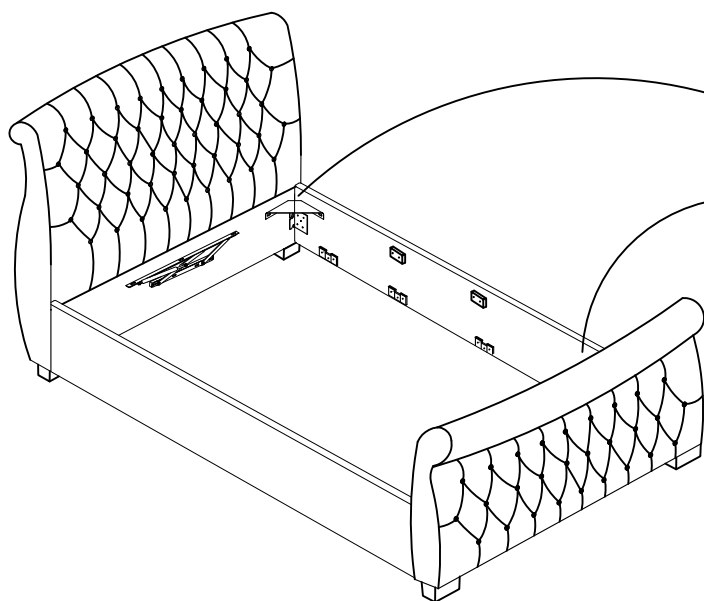
# Step 3

 8x 30mm M8 bolt	 8x Flat Washer M8X17mm	 8x Spring Washer M8	 1x M5 allen key	
---	--	---	---	--



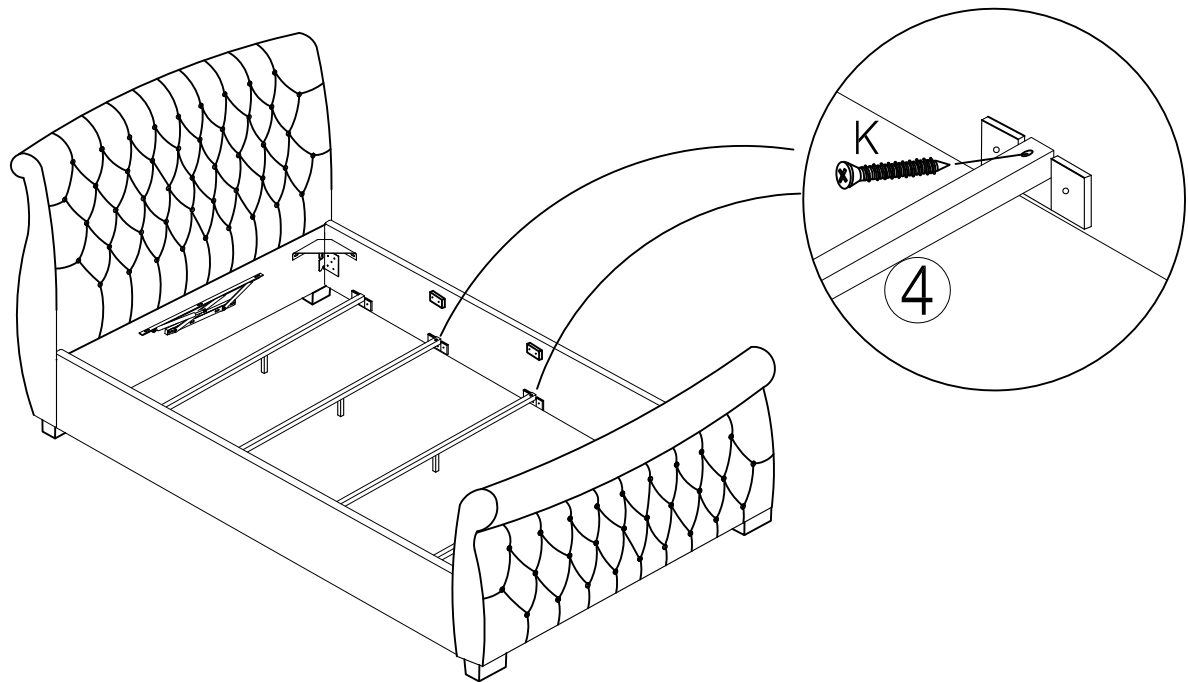
# Step 4

 16x 30mm M8 bolt	 16x Flat Washer M8X17mm	 16x Spring Washer M8	 1x M5 allen key	
--	---	--	---	--

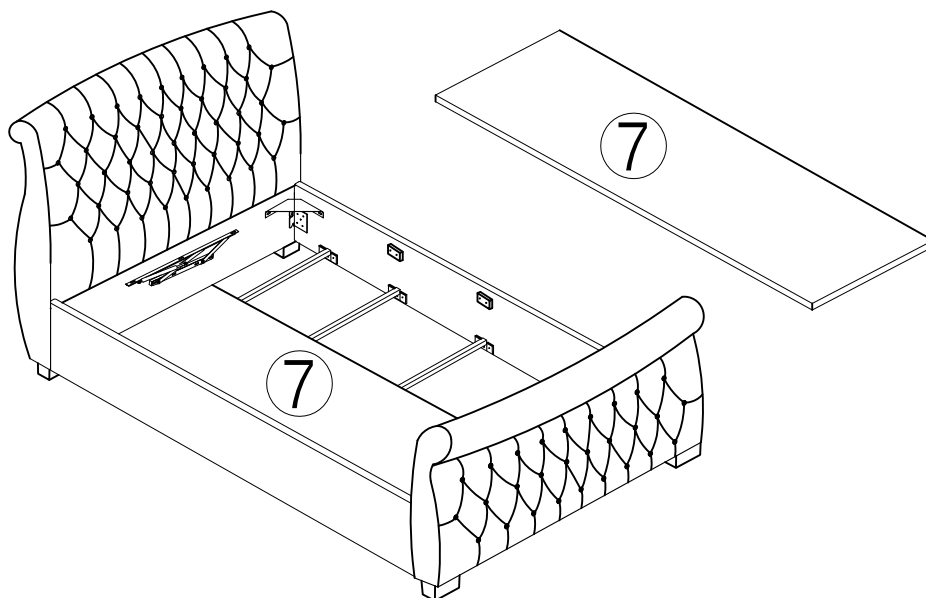
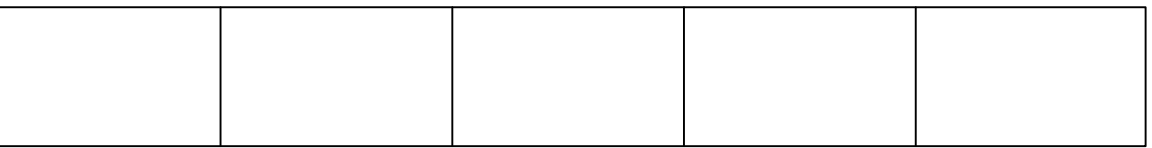


# Step 5



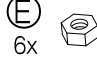
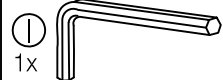
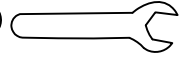
(K)  
4x  
45mm M4 screw

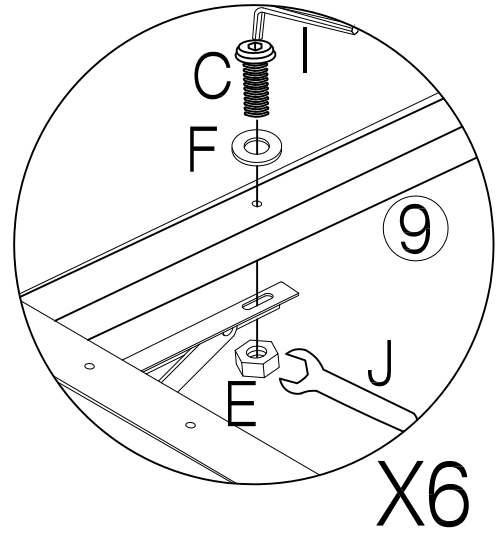
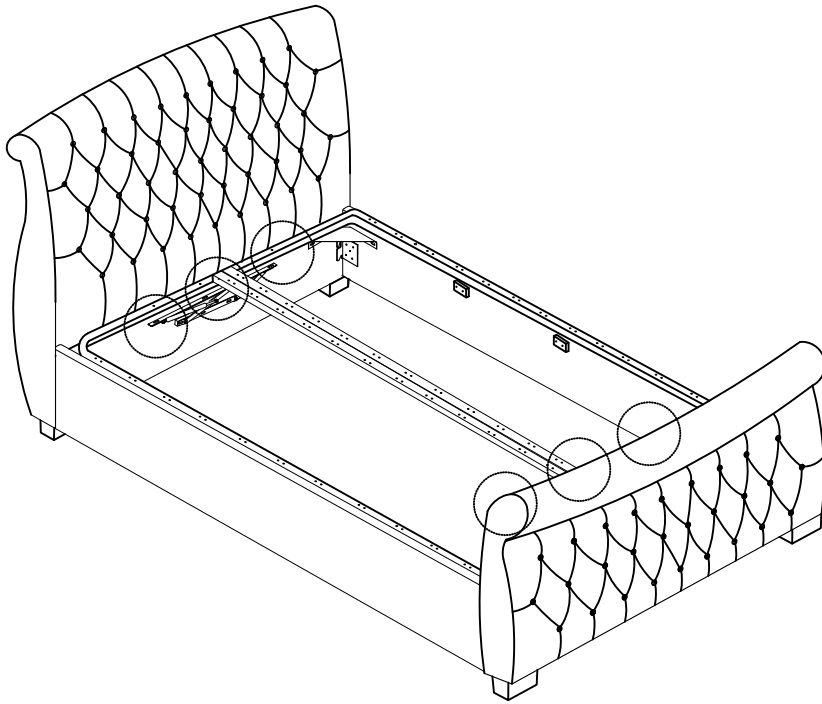


# Step 6



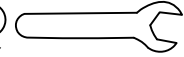


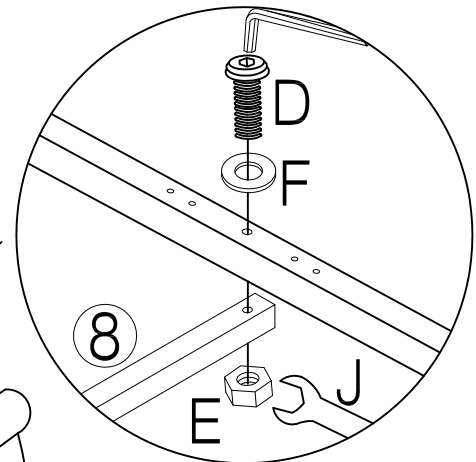
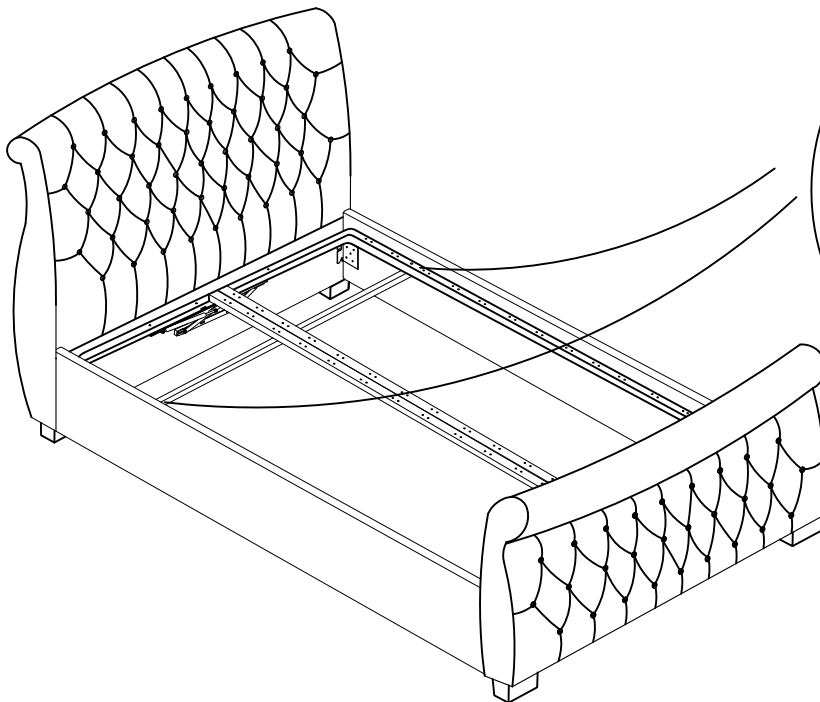
# Step 7

 6x 45mm M8 bolt	 6x Flat Washer M8X17mm	 6x M8 Nut	 1x M5 allen key	 1x spanner
--	--	---	--	--




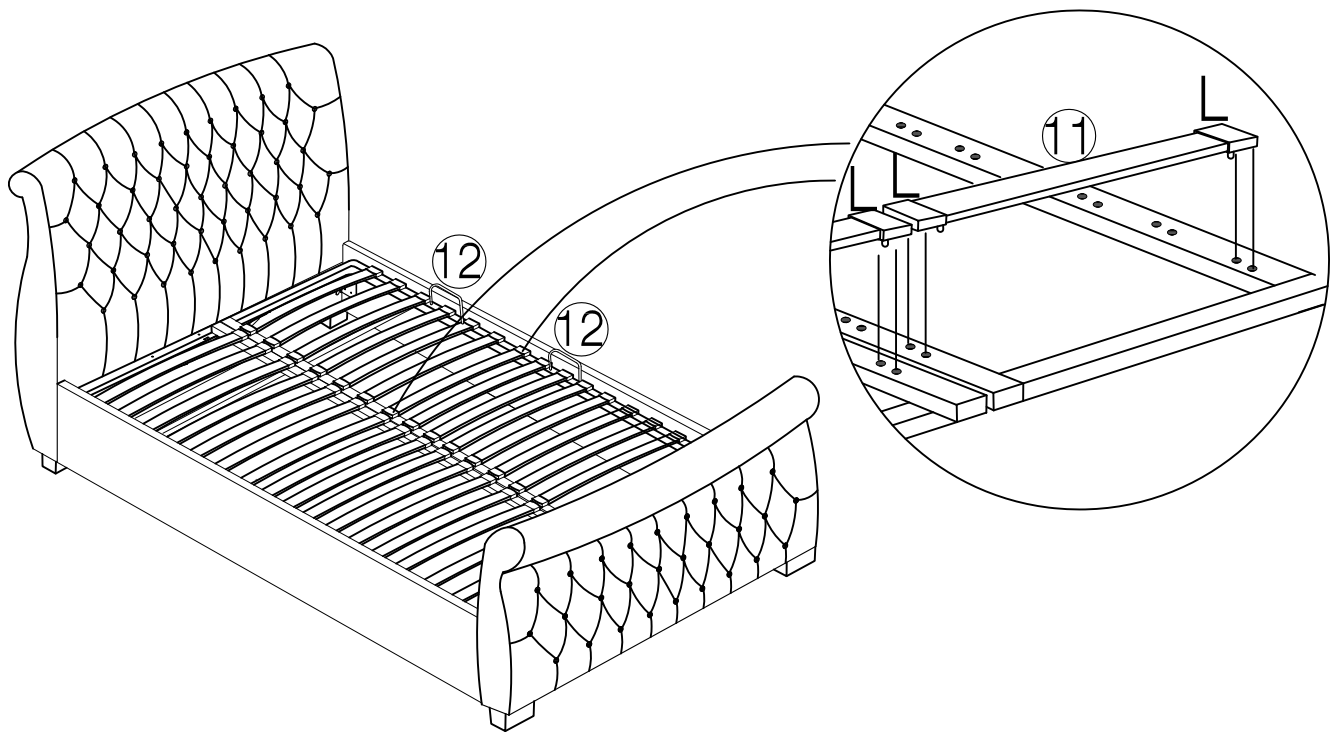
# Step 8

 2x 70mm M8 bolt	 2x Flat Washer M8X17mm	 2x M8 Nut	 1x M5 allen key	 1x spanner
---	--	---	---	--

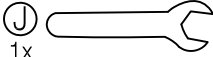


# Step 9

 52x Single cap				
---	--	--	--	--



# Step 10

 1x spanner				
--	--	--	--	--

