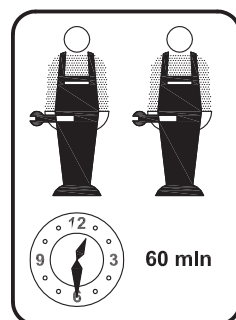
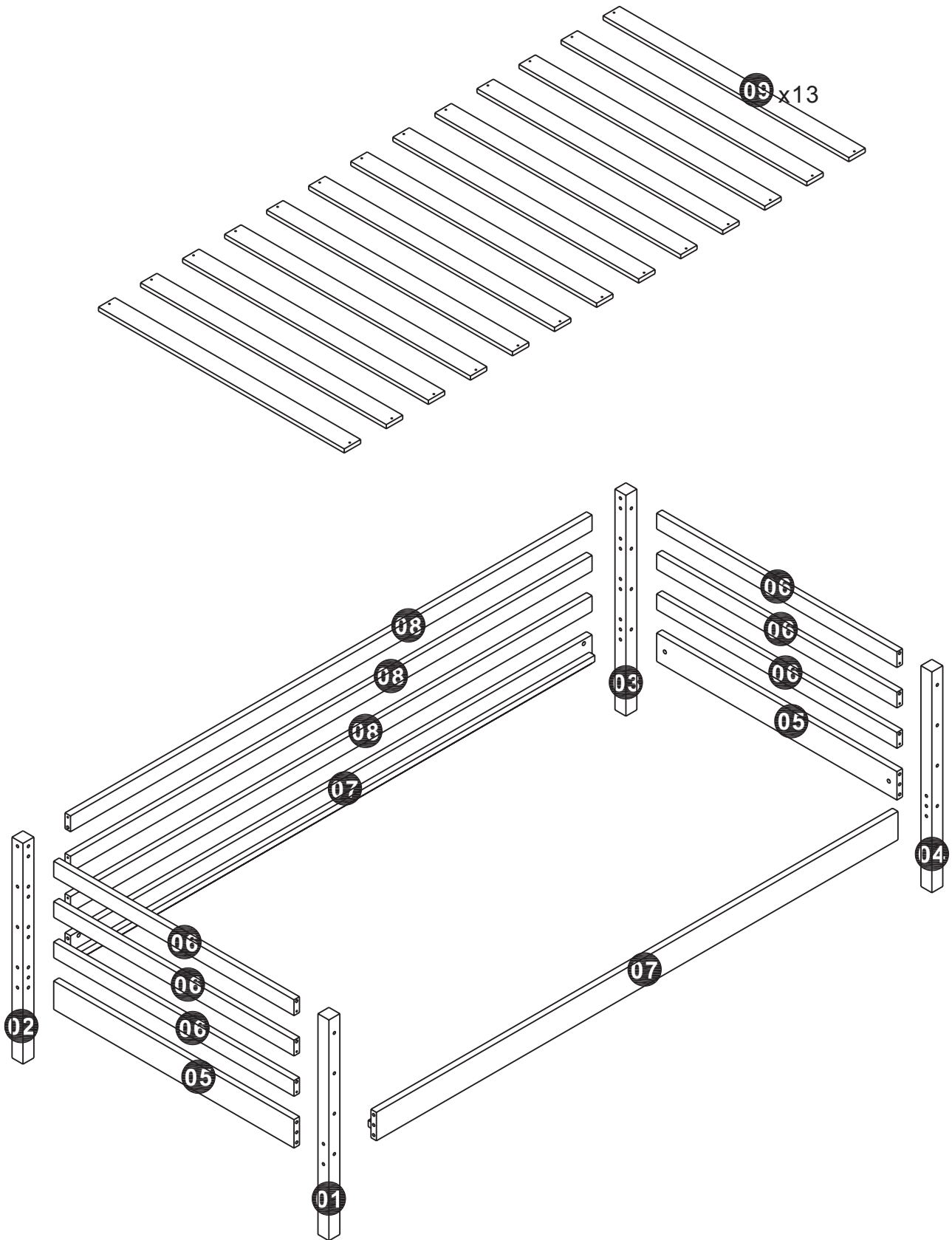


READ THE ASSEMBLY INSTRUCTIONS CAREFULLY. IDENTIFY THE ELEMENTS CONSTITUING YOUR PIECE OF FURNITURE. GROUP AND CHECK THE HARDWARE FITTINGS. GET THE TOOLS NEEDED. CLEAR SPACE TO WORK. PROCEED TO ASSEMBLE




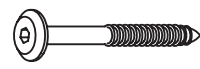

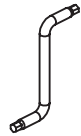
NEVER FORCE THE FITTINGS. TIGHTEN THE SCREW AFTER USING FOR SOMETIME. KEEP YOUR ASSEMBLY INSTRUCTIONS, IT COULD HELP FOR BETTER COMMUNICATION WITH YOUR STORE. IN THE EVENT OF QUERY.



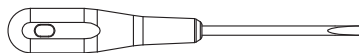
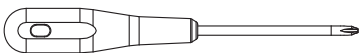
# EXPLODED VIEW



# HARDWARE

A x12  M6 x80mm	B x12 	C x30  Ø8 x30mm	D x18  Ø6 x80mm	E x26  Ø4 x30mm
F x1 				

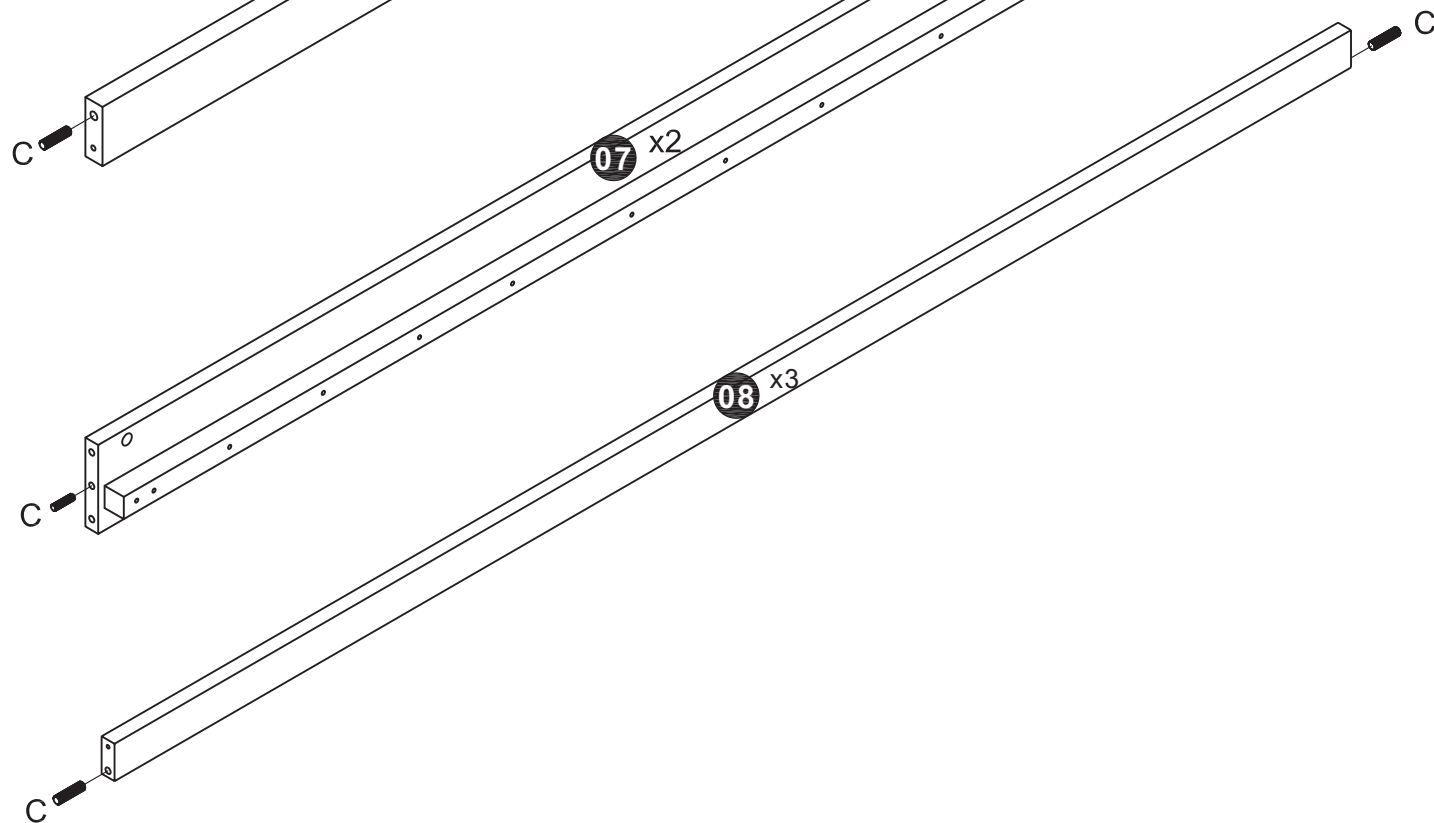
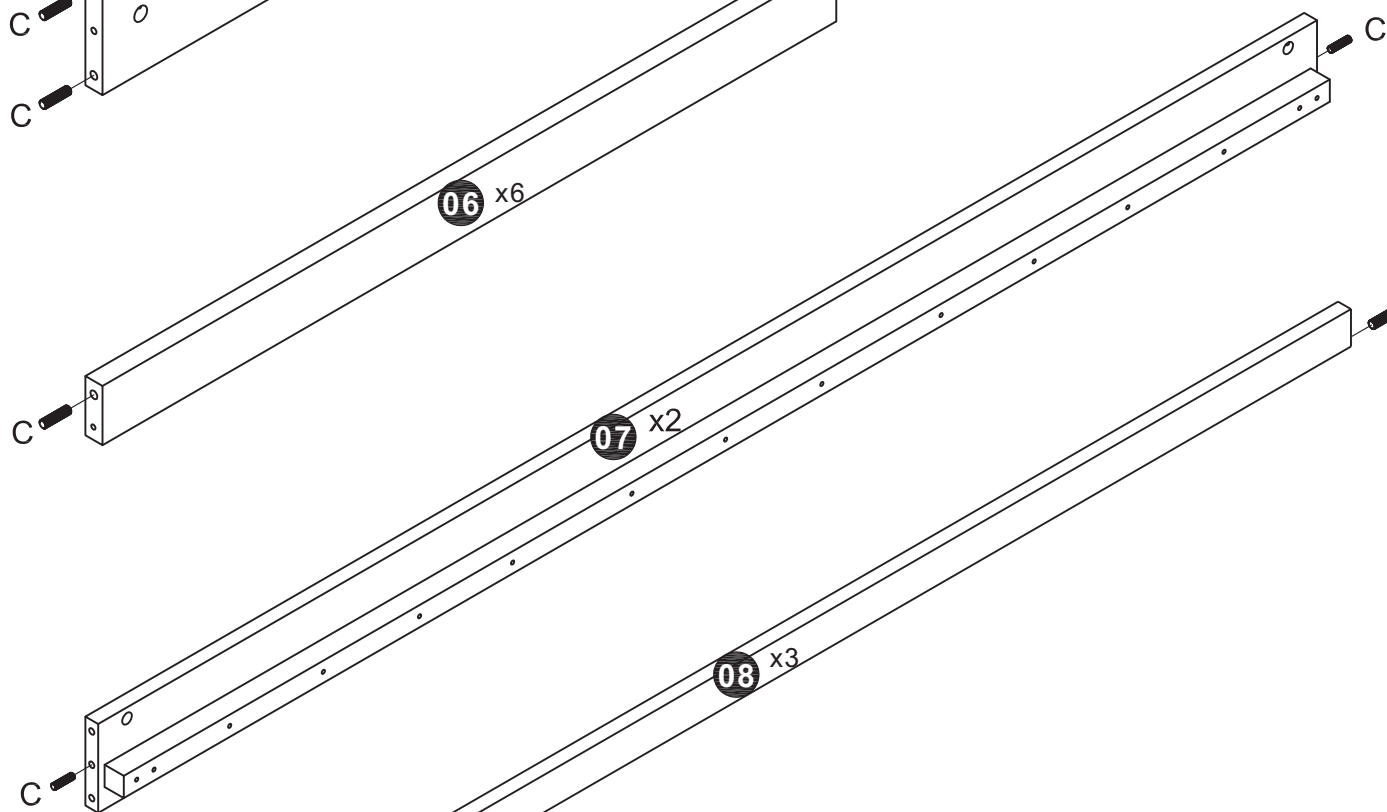
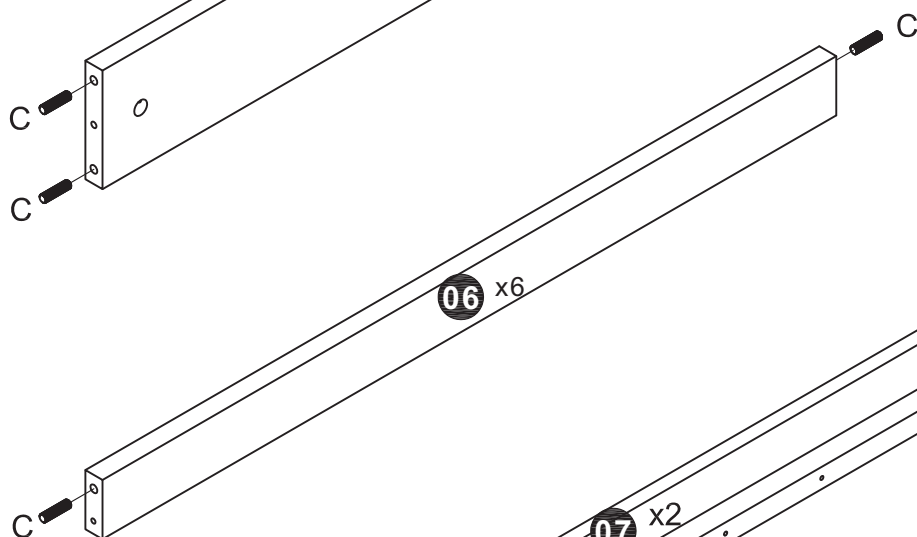
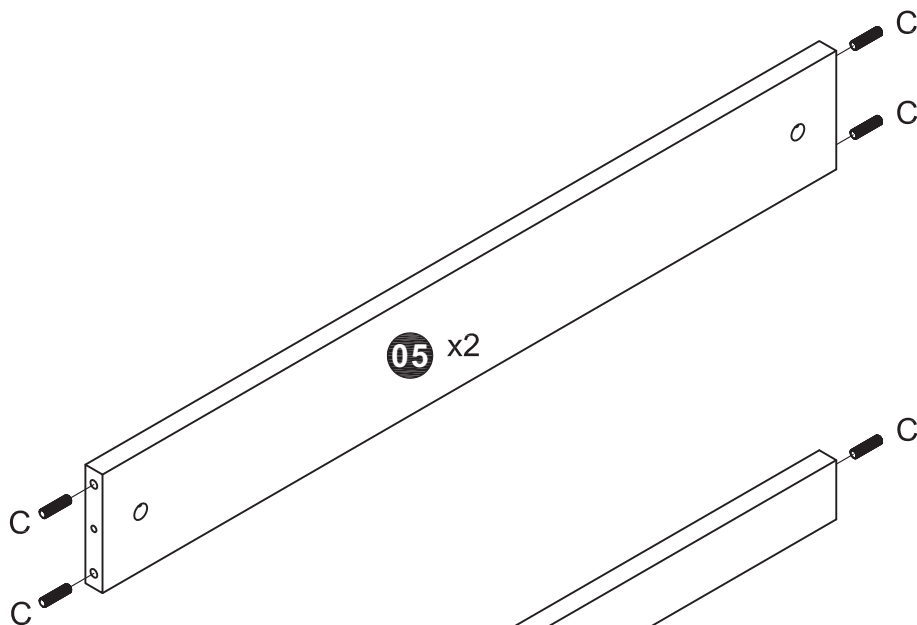
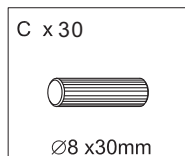
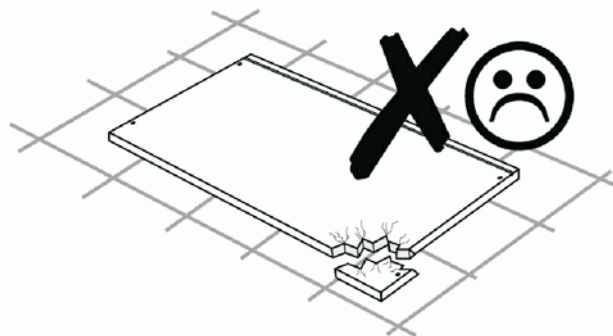
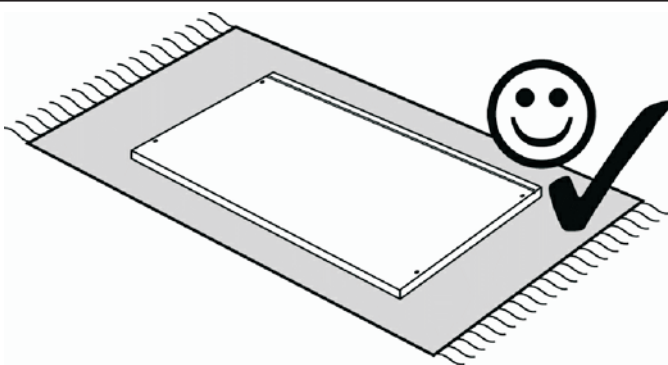
# TOOLS







**Ruler** - Use this ruler to help correctly identify the screws

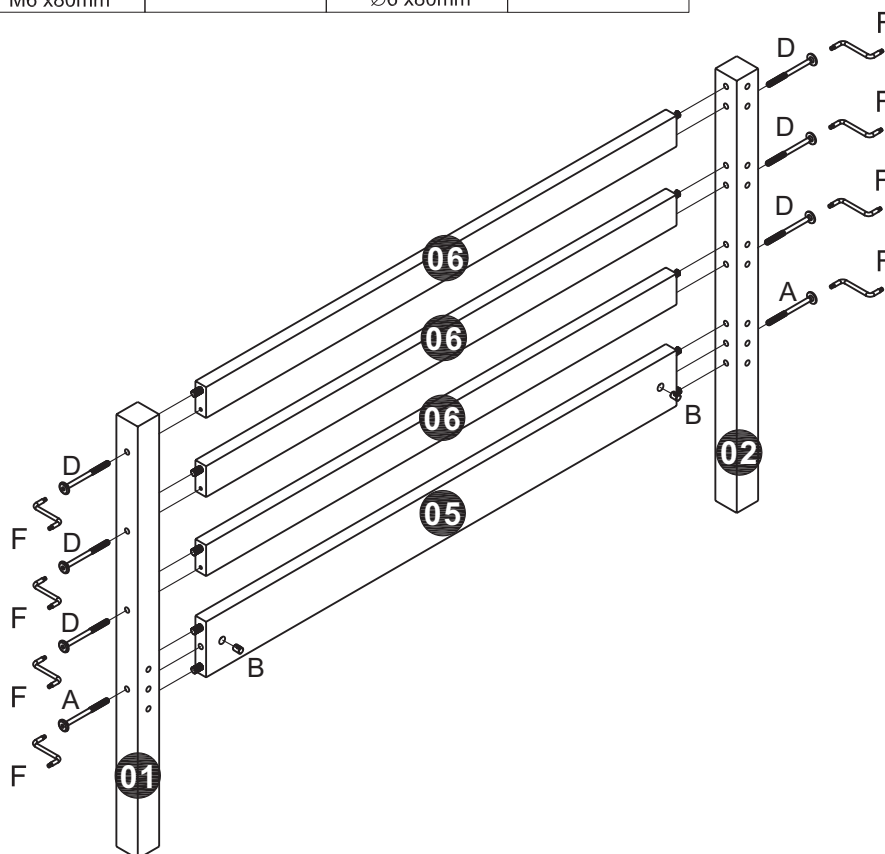


01




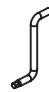


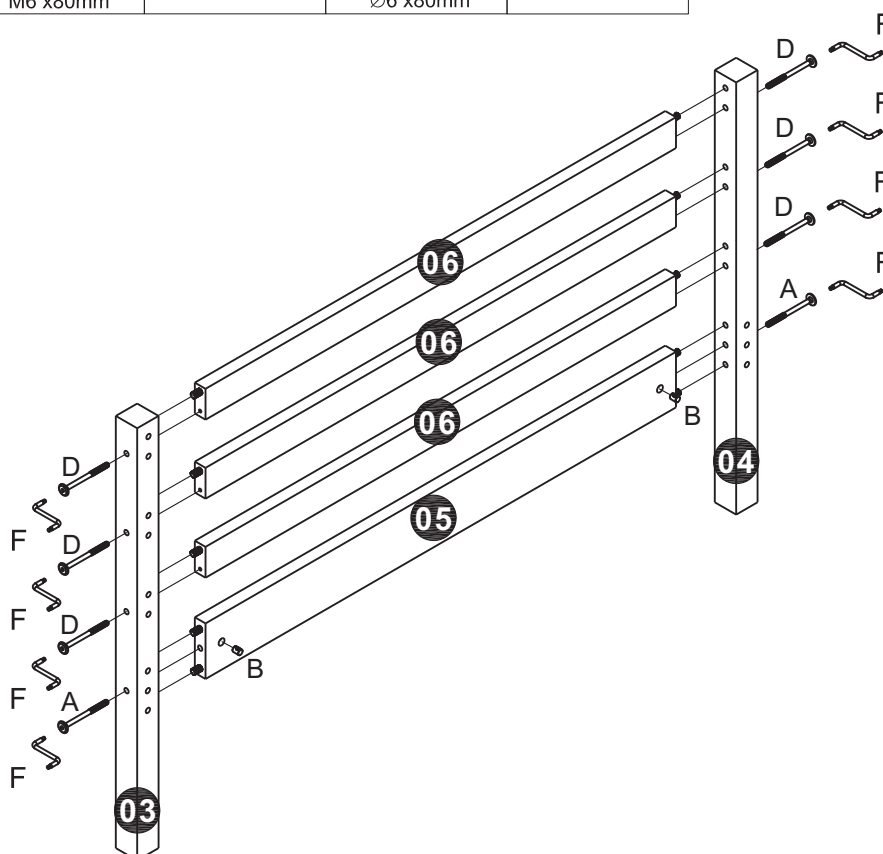
02

A x 2  M6 x80mm	B x 2 	D x 6  Ø6 x80mm	F x 1 
--	--	--	--







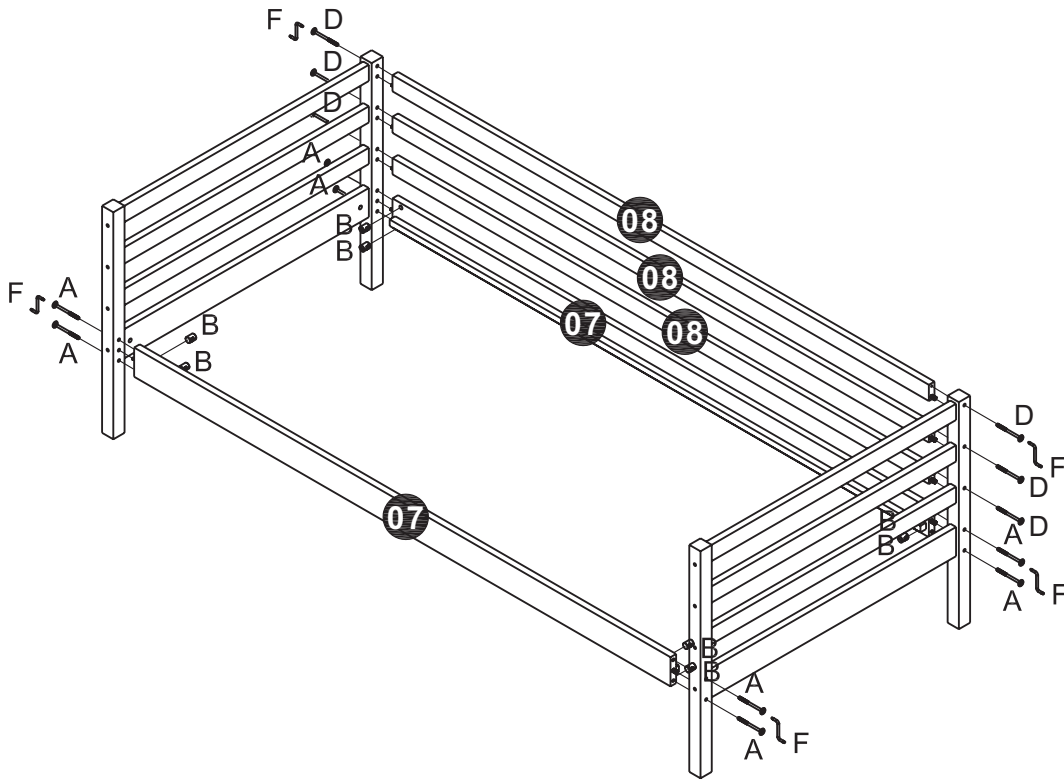
03

A x 2  M6 x80mm	B x 2 	D x 6  Ø6 x80mm	F x 1 
--	--	--	--




04

A x 8  M6 x80mm	B x 8 	D x 6  Ø6 x80mm	F x 1 
--	---	--	--



05

E x 26  Ø4 x30mm
---

